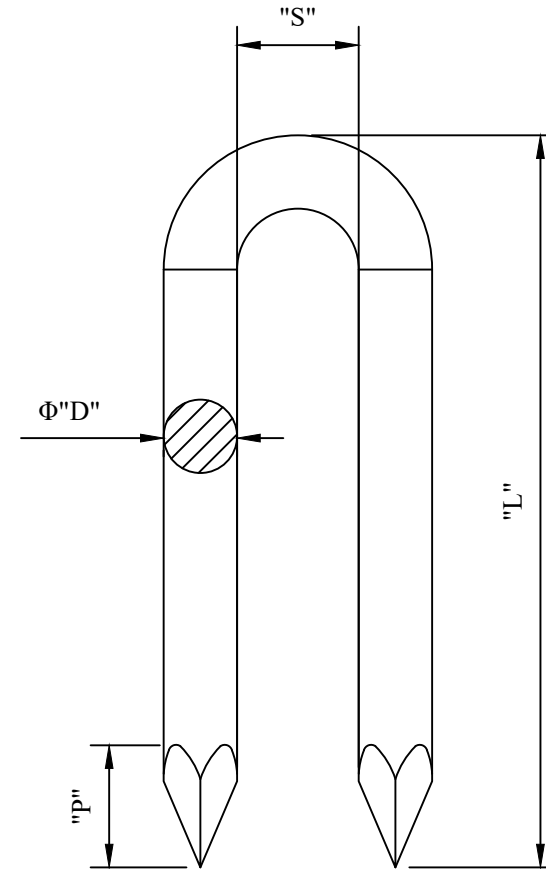


CATALOG NUMBER : 06J9C10

CATALOG NUMBER	FINISH	"L"	"S"	"D"	"P"
06J9C10_1	ELECTRO ZINC	1 (25.4)	5/16 (7.9)	.120 (3.0)	1/4 (6.4)
06J9C10_2	ELECTRO ZINC	1.5 (38.1)	3/8 (9.5)	.148 (3.8)	1/2 (12.7)
06J9C10_3	ELECTRO ZINC	1.75 (44.5)	3/8 (9.5)	.148 (3.8)	1/2 (12.7)
06J9C10_4	ELECTRO ZINC	2 (50.8)	1/2 (12.7)	.162 (4.1)	9/16 (14.3)
06J9C10_5	ELECTRO ZINC	2 (50.8)	5/8 (15.9)	.162 (4.1)	9/16 (14.3)
06J9C10_6	ELECTRO ZINC	2 (50.8)	5/8 (15.9)	.189 (4.8)	9/16 (14.3)
06J9C10_7	ELECTRO ZINC	2 (50.8)	1 1/16 (27)	.189 (4.8)	5/8 (15.9)
06J9C10_8	ELECTRO ZINC	3 (76.2)	1 1/16 (27)	.250 (6.4)	7/8 (22.2)
06J9C10_9	ELECTRO ZINC	3 (76.2)	1 1/2 (38.1)	.250 (6.4)	7/8 (22.2)
06J9C10_10	ELECTRO ZINC	3.5 (88.9)	1 3/4 (44.5)	.250 (6.4)	7/8 (22.2)
06J9C10_11	HOT DP GALV	1 (25.4)	5/16 (7.9)	.120 (3.0)	1/4 (6.4)
06J9C10_12	HOT DP GALV	1.5 (38.1)	3/8 (9.5)	.148 (3.8)	1/2 (12.7)
06J9C10_13	HOT DP GALV	1.75 (44.5)	3/8 (9.5)	.148 (3.8)	1/2 (12.7)
06J9C10_14	HOT DP GALV	2 (50.8)	1/2 (12.7)	.162 (4.1)	9/16 (14.3)
06J9C10_15	HOT DP GALV	2 (50.8)	5/8 (15.9)	.162 (4.1)	9/16 (14.3)
06J9C10_16	HOT DP GALV	2 (50.8)	5/8 (15.9)	.189 (4.8)	9/16 (14.3)
06J9C10_17	HOT DP GALV	2 (50.8)	1 1/16 (27)	.189 (4.8)	5/8 (15.9)
06J9C10_18	HOT DP GALV	3 (76.2)	1 1/16 (27)	.250 (6.4)	7/8 (22.2)
06J9C10_19	HOT DP GALV	3 (76.2)	1 1/2 (38.1)	.250 (6.4)	7/8 (22.2)
06J9C10_20	HOT DP GALV	3.5 (88.9)	1 3/4 (44.5)	.250 (6.4)	7/8 (22.2)
06J9C10_21	COPPER COATED	1 (25.4)	1/4 (6.4)	.114 (2.9)	1/4 (6.4)
06J9C10_22	COPPER COATED	1.25 (31.8)	1/4 (6.4)	.114 (2.9)	1/4 (6.4)
06J9C10_23	COPPER COATED	1.5 (38.1)	5/16 (7.9)	.144 (3.7)	1/2 (12.7)
06J9C10_24	COPPER COATED	1.75 (44.5)	3/8 (9.5)	.144 (3.7)	1/2 (12.7)
06J9C10_25	COPPER COATED	2 (50.8)	1/2 (12.7)	.162 (4.1)	9/16 (14.3)
06J9C10_26	COPPER COATED	2 (50.8)	5/8 (15.9)	.162 (4.1)	9/16 (14.3)
06J9C10_27	COPPER COATED	2.25 (57.2)	25/32 (19.8)	.189 (4.8)	5/8 (15.9)
06J9C10_28	COPPER COATED	2 (50.8)	1 1/16 (27)	.189 (4.8)	5/8 (15.9)
06J9C10_29	COPPER COATED	2.5 (63.5)	1 1/16 (27)	.189 (4.8)	5/8 (15.9)
06J9C10_30	COPPER COATED	3 (76.2)	1 (25.4)	.250 (6.4)	7/8 (22.2)
06J9C10_31	COPPER COATED	3 (76.2)	1 1/16 (27)	.250 (6.4)	7/8 (22.2)
06J9C10_32	COPPER COATED	3 (76.2)	1 1/2 (38.1)	.250 (6.4)	7/8 (22.2)
06J9C10_33	BRIGHT WIRE	1.5 (38.1)	3/8 (9.5)	.148 (3.8)	1/2 (12.7)
06J9C10_34	BRIGHT WIRE	2 (50.8)	1/2 (12.7)	.162 (4.1)	9/16 (14.3)
06J9C10_35	BRIGHT WIRE	3 (76.2)	1 1/16 (27)	.250 (6.4)	7/8 (22.2)
06J9C10_36	BRIGHT WIRE	3 (76.2)	1 1/2 (38.1)	.250 (6.4)	7/8 (22.2)
06J9C10_37	HOT DP GALV	1.5 (38.1)	1 1/2 (38.1)	.148 (3.8)	1/4 (6.4)



NOTES:
1.MATERIAL: STEEL WIRE.

DRN BY:	DATA
Ella	07/09/16
<small>CONFIDENTIAL-THIS DRAWING AND ITS CONTENTS PROPERTY OF TIANJIN TUOFA ELECTRIC POWER TECHNOLOGY CO.,LTD. NO PUBLICATION, DISTRIBUTION OR COPIES MAY BE MADE WITHOUT THE WRITTEN CONSENT OF TIANJIN TUOFA ELECTRIC POWER TECHNOLOGY CO.,LTD. TIANJIN TUOFA ELECTRIC POWER TECHNOLOGY CO.,LTD UNPUBLISHED ALL RIGHTS RESERVED UNDER THE COPYRIGHT LAWS.</small>	

STAPLE



TTF POWER TECHNOLOGY CO.