

CATALOG NUMBER : 05E4H7D

FOR ALUMINUM TO ALUMINUM AND ALUMINUM TO COPPER CONDUCTOR SPLICE / TAP CONNECTIONS. SEALANT (XB) IS RECOMMENDED ON ALL CONNECTIONS.

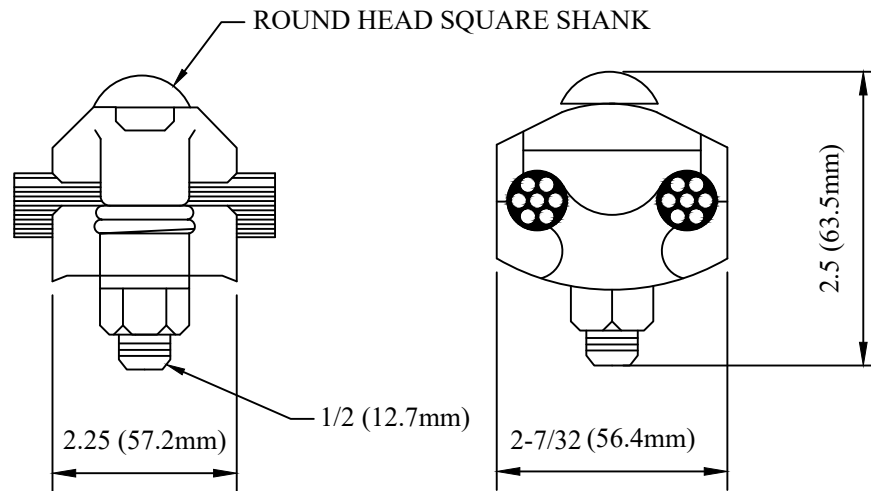
NOTES:

1.MATERIAL:

BODY - ALUMINUM ALLOY

HARDWARE - GALVANIZED STEEL

TAP LINER - COOPER METALLURGICALLY BONDED



CONDUCTOR RANGE		APPROX. WT. EACH LBS.(KG).
MAIN	TAP	
#1 Sol. - 400 MCM AAC #1 - 336.4 MCM ACSR	#8 Sol. - 2/0 Str. Cu	0.46 (0.21)

DRN BY:	DATA
Ella	07/09/16
<small>CONFIDENTIAL THIS DRAWING AND ITS CONTENTS PROPERTY OF TIANJIN TUOFA ELECTRIC POWER TECHNOLOGY CO.,LTD. NO PUBLICATION, DISTRIBUTION OR COPIES MAY BE MADE WITHOUT THE WRITTEN CONSENT OF TIANJIN TUOFA ELECTRIC POWER TECHNOLOGY CO.,LTD. TIANJIN TUOFA ELECTRIC POWER TECHNOLOGY CO.,LTD UNPUBLISHED ALL RIGHTS RESERVED UNDER THE COPYRIGHT LAWS.</small>	

**SINGLE CENTER BOLT ALUMINUM
PARALLEL GROOVE CONNECTOR**



TTF POWER TECHNOLOGY CO.