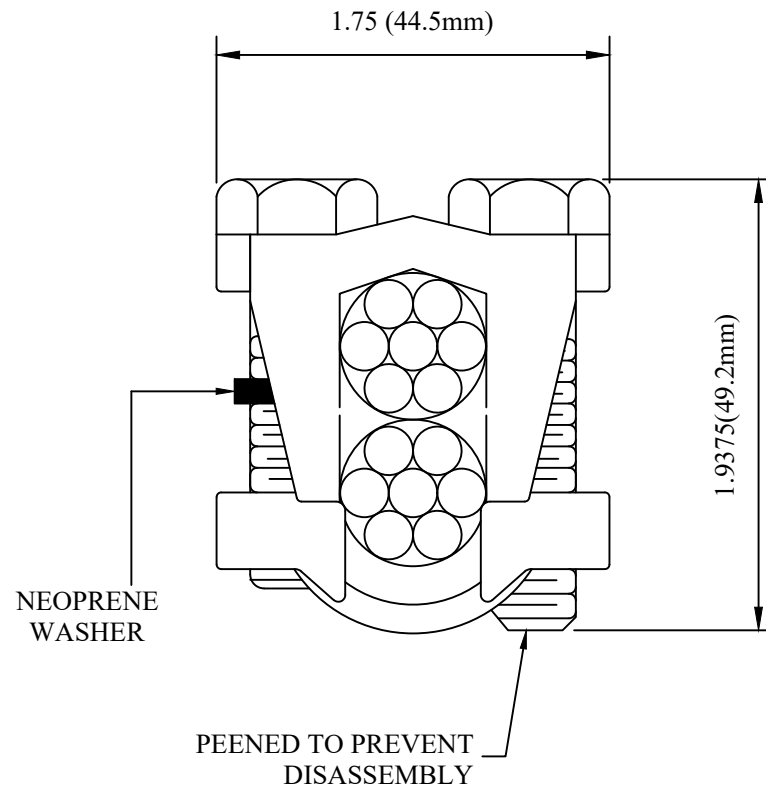
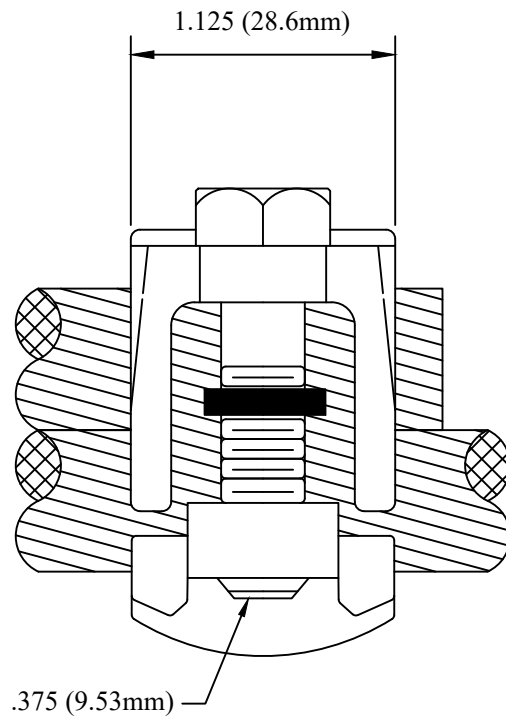


CATALOG NUMBER : 05E0C5R



FOR COPPER TO COPPER CONDUCTOR CONNECTIONS.

NOTES:

1. MATERIAL:

- BODY - HIGH STRENGTH BRONZE ALLOY
- RETAINING RING - NEOPRENE RUBBER
- HARDWARE - SILICON BRONZE

DRN BY:	DATA
Ella	07/09/16
<small>CONFIDENTIAL-THIS DRAWING AND ITS CONTENTS PROPERTY OF TIANJIN TUOFA ELECTRIC POWER TECHNOLOGY CO.,LTD. NO PUBLICATION, DISTRIBUTION OR COPIES MAY BE MADE WITHOUT THE WRITTEN CONSENT OF TIANJIN TUOFA ELECTRIC POWER TECHNOLOGY CO.,LTD. TIANJIN TUOFA ELECTRIC POWER TECHNOLOGY CO.,LTD UNPUBLISHED ALL RIGHTS RESERVED UNDER THE COPYRIGHT LAWS.</small>	

SILICONE BRONZE BOLT PARALLEL GROOVE CONNECTOR, RANGE 0.328 IN - 0.528 IN



TTF POWER TECHNOLOGY CO.