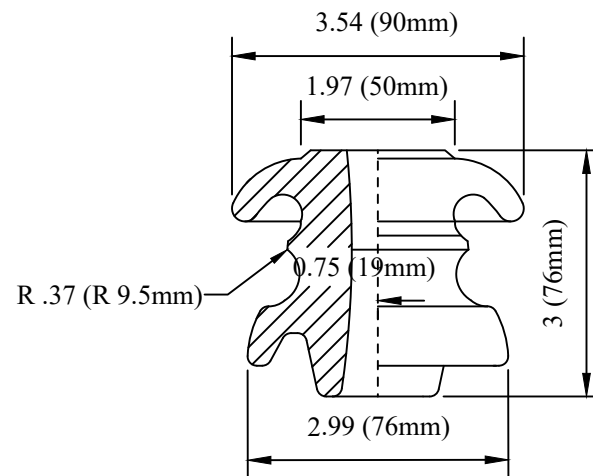


CATALOG NUMBER : 07D2Z1P



DRN BY:	DATA
Ella	07/09/16

**SHACKLE INSULATOR, 13KN  
MECHANICAL FAILING LOAD, 90 MM  
DIAMETER**

CONFIDENTIAL THIS DRAWING AND ITS  
CONTENTS PROPERTY OF TIANJIN  
TUOFA ELECTRIC POWER TECHNOLOGY  
CO.,LTD. NO PUBLICATION,  
DISTRIBUTION OR COPIES MAY BE  
MADE WITHOUT THE WRITTEN  
CONSENT OF TIANJIN TUOFA ELECTRIC  
POWER TECHNOLOGY CO.,LTD.  
TIANJIN TUOFA ELECTRIC POWER  
TECHNOLOGY CO.,LTD UNPUBLISHED  
ALL RIGHTS RESERVED UNDER THE  
COPYRIGHT LAWS.



**TTF POWER TECHNOLOGY CO.**