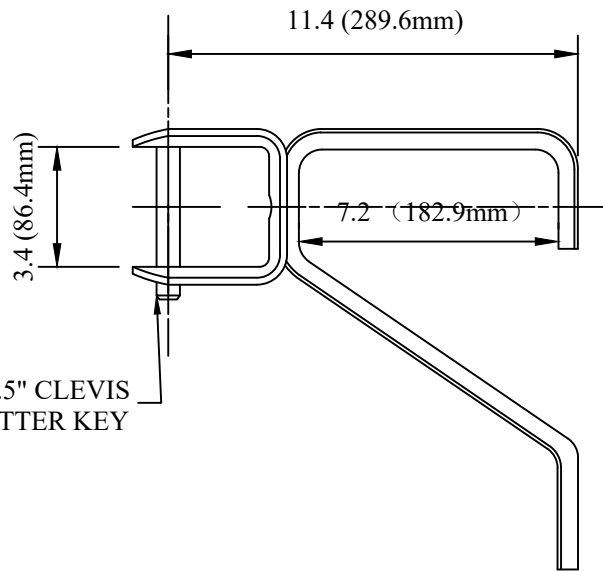
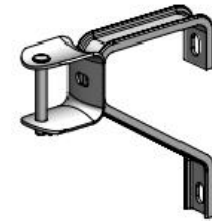
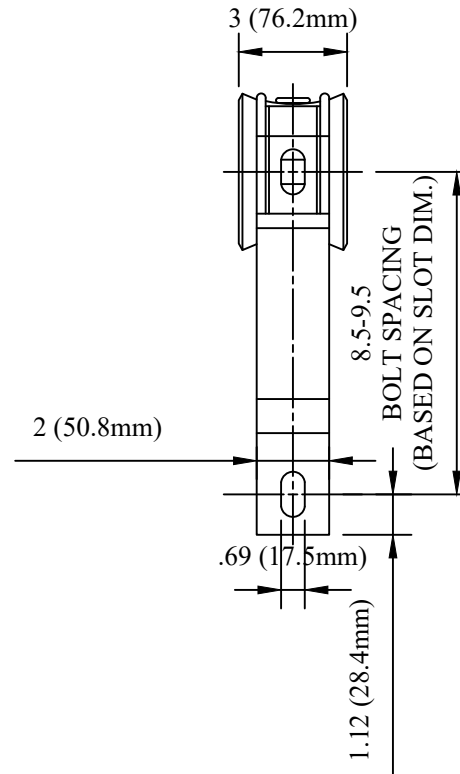


CATALOG NUMBER : 06O4U2M



.625" x 4.5" CLEVIS
PIN WITH COTTER KEY



NOTES:

- 1.ASSEMBLED COMPLETE AS SHOWN.
- 2.MATERIAL: STRUCTURAL GRADE CHANNEL 2" X $\frac{9}{16}$ " X $\frac{3}{16}$ " .
- 3.FINISH: HOT DIP GALVANIZE PER ASTM A153 (LATEST REV.)

DRN BY:	DATA
Ella	07/09/16

SECONDARY BRACKET

CONFIDENTIAL THIS DRAWING AND ITS CONTENTS PROPERTY OF TIANJIN TUOFA ELECTRIC POWER TECHNOLOGY CO.,LTD. NO PUBLICATION, DISTRIBUTION OR COPIES MAY BE MADE WITHOUT THE WRITTEN CONSENT OF TIANJIN TUOFA ELECTRIC POWER TECHNOLOGY CO.,LTD. TIANJIN TUOFA ELECTRIC POWER TECHNOLOGY CO.,LTD UNPUBLISHED ALL RIGHTS RESERVED UNDER THE COPYRIGHT LAWS.



TTF POWER TECHNOLOGY CO.