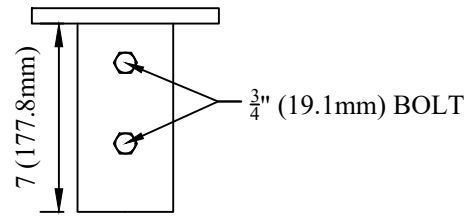
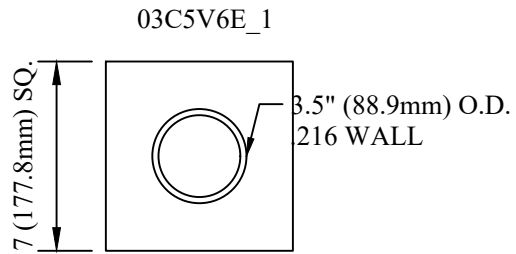
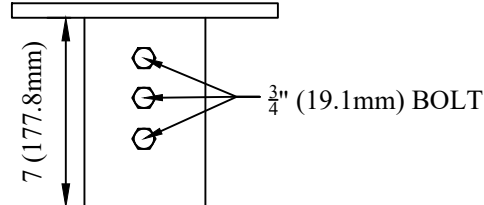
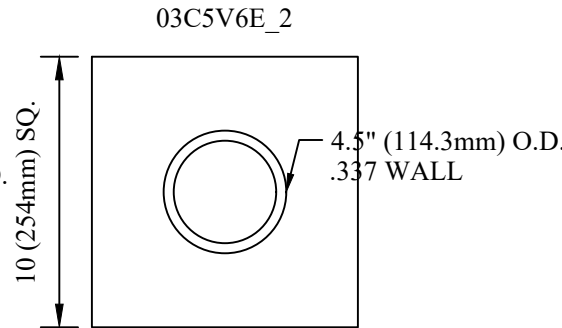


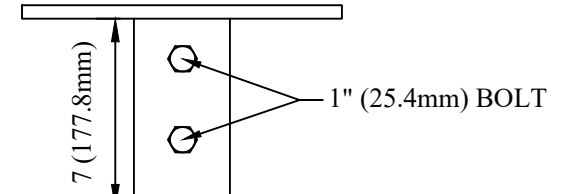
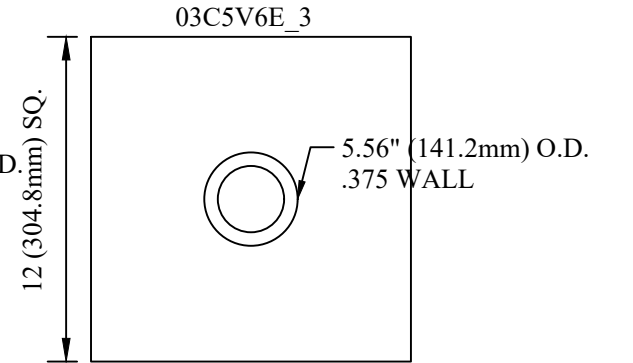
CATALOG NUMBER : 03C5V6E



TO ACCEPT
2.875" (73mm) PIPE
SHAFT
COMPRESSION STRENGTH: 72KIP
TENSION STRENGTH: 72KIP



TO ACCEPT
3.5" (88.9mm) PIPE
SHAFT
COMPRESSION STRENGTH: 120KIP
TENSION STRENGTH: 120KIP



TO ACCEPT
4.5" (114.3mm) PIPE
SHAFT
COMPRESSION STRENGTH: 130KIP
TENSION STRENGTH: 130KIP

NOTES:

1. MATERIAL SPECIFICATIONS:

PLATED: HOT ROLLED STEEL PLATE PER ASTM A572 GRADE 50.

PIPE: ERW PIPE PER ASTM A53 GRADE B OR PER ASTM A500 GRADE 50.

BOLTS: 3/4" BOLTS PER SAE J429 GRADE 5.

1" BOLTS PER GRADE 8.

DRN BY:	DATA
Ella	10/10/16
<small>CONFIDENTIAL THIS DRAWING AND ITS CONTENTS PROPERTY OF TIANJIN TUOFA ELECTRIC POWER TECHNOLOGY CO.,LTD. NO PUBLICATION, DISTRIBUTION OR COPIES MAY BE MADE WITHOUT THE WRITTEN CONSENT OF TIANJIN TUOFA ELECTRIC POWER TECHNOLOGY CO.,LTD. TIANJIN TUOFA ELECTRIC POWER TECHNOLOGY CO.,LTD UNPUBLISHED ALL RIGHTS RESERVED UNDER THE COPYRIGHT LAWS.</small>	

PILE CAP



TTF POWER TECHNOLOGY CO.