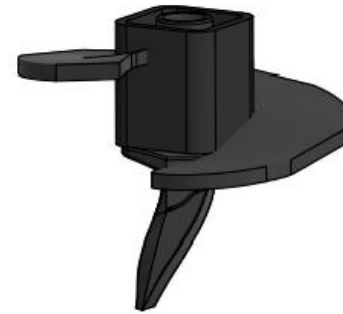
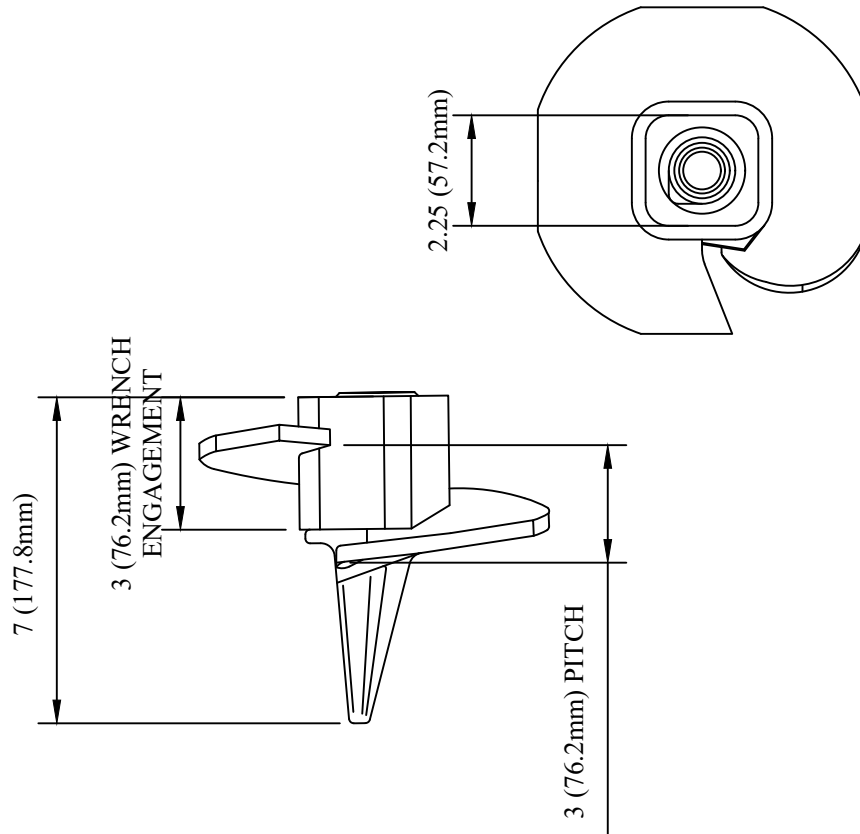


CATALOG NUMBER : 03F5J8R

SIZE	TORQUE RATING	THREAD SIZE	RATED TENSILE STRENGTH(LB.)	PROJRCTED AREA(IN ²)
8" (203.2)	8,000	5/8" (15.9)	16,000 NOTE-2	45



NOTES:

- 1.FINISH: BLACK PAINT.
- 2.RATED TENSILE STRENGTH IS BASED ON THE ROD USED.

DRN BY:	DATA
Ella	07/09/16
<small>CONFIDENTIAL THIS DRAWING AND ITS CONTENTS PROPERTY OF TIANJIN TUOFA ELECTRIC POWER TECHNOLOGY CO.,LTD. NO PUBLICATION, DISTRIBUTION OR COPIES MAY BE MADE WITHOUT THE WRITTEN CONSENT OF TIANJIN TUOFA ELECTRIC POWER TECHNOLOGY CO.,LTD. TIANJIN TUOFA ELECTRIC POWER TECHNOLOGY CO.,LTD UNPUBLISHED ALL RIGHTS RESERVED UNDER THE COPYRIGHT LAWS.</small>	

PAINTED HELIX ANCHOR,
WEIGHT: 9.980 LB



TTF POWER TECHNOLOGY CO.