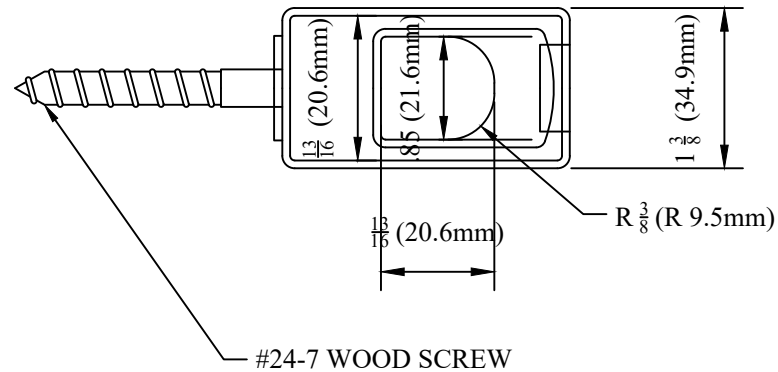
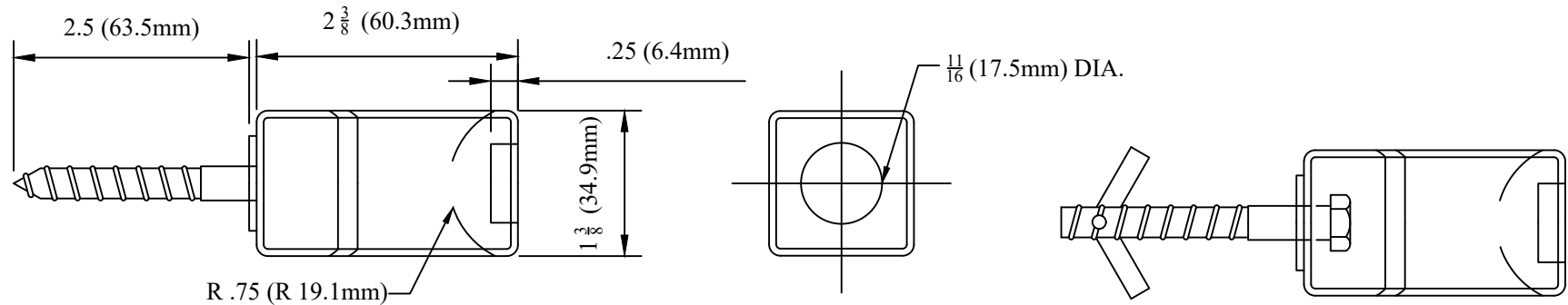


CATALOG NUMBER : 04G6T5M



NOTES:

- 1.MATERIAL: GRAY, UV STABILIZED, GLASS REINFORCES NYLON ALLOY.
- 2.ZINC COATED PER ASTM A153 OR B695 CLASS 50.

DRN BY:	DATA
Ella	07/09/16
<small>CONFIDENTIAL THIS DRAWING AND ITS CONTENTS PROPERTY OF TIANJIN TUOFA ELECTRIC POWER TECHNOLOGY CO.,LTD. NO PUBLICATION, DISTRIBUTION OR COPIES MAY BE MADE WITHOUT THE WRITTEN CONSENT OF TIANJIN TUOFA ELECTRIC POWER TECHNOLOGY CO.,LTD. TIANJIN TUOFA ELECTRIC POWER TECHNOLOGY CO.,LTD UNPUBLISHED ALL RIGHTS RESERVED UNDER THE COPYRIGHT LAWS.</small>	

NYLON AND STEEL SERVICE  
WIREHOLDER, WEIGHT: 0.2 LB



TTF POWER TECHNOLOGY CO.