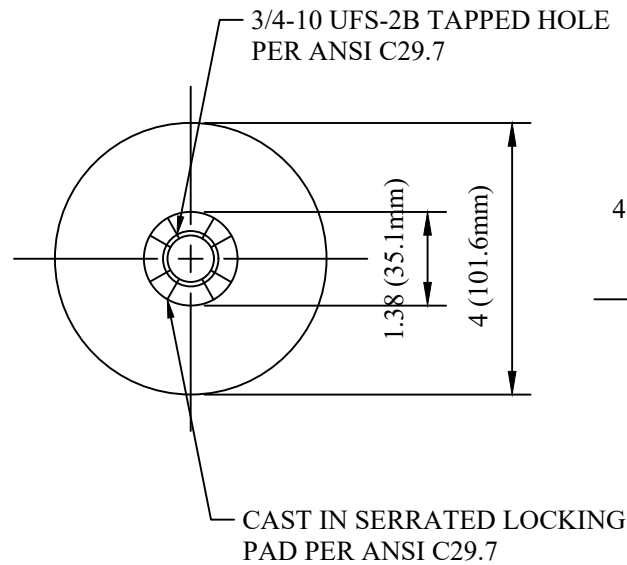
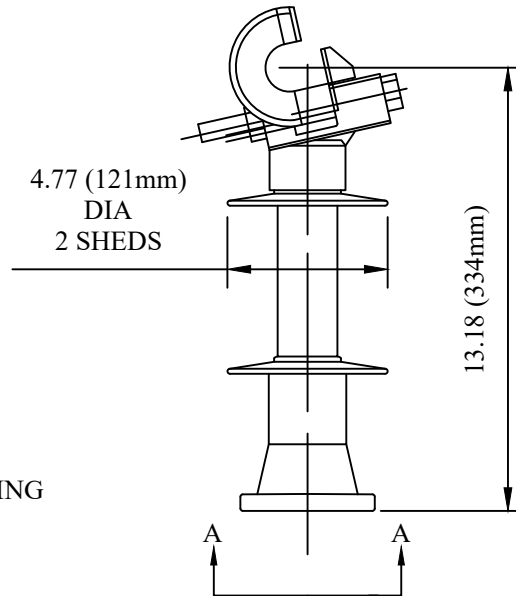


CATALOG NUMBER : 07B1U0V



VIEW A-A  
2X SACLE



DRY ARCING DISTANCE	188 MM
LEAKAGE DISTANCE	297 MM
60 Hz DRY FLASHOVER	90 KV
60 Hz WET FLASHOVER	70 KV
IMPULSE POS. CRITICAL: FLASHOVER	150 KV
IMPULSE POS. WITHSTAND	140 KV
SCL	12.5 KV
RCL	5.5 KV
NET WEIGHT	3.1 KG

CLAMP CONDUCTOR RANGE	.2" - 1.34"
CLAMP MATERIAL	ALUMINUM
INSULATOR MATERIAL	SILICONE RUBBER
BASE MATERIAL	DUCTILIE IRON
STANDARDS MET	ANSI C29.18, CSA C411.6

DRN BY:	DATA
Ella	07/09/16
<small>CONFIDENTIAL THIS DRAWING AND ITS CONTENTS PROPERTY OF TIANJIN TUOFA ELECTRIC POWER TECHNOLOGY CO.,LTD. NO PUBLICATION, DISTRIBUTION OR COPIES MAY BE MADE WITHOUT THE WRITTEN CONSENT OF TIANJIN TUOFA ELECTRIC POWER TECHNOLOGY CO.,LTD. TIANJIN TUOFA ELECTRIC POWER TECHNOLOGY CO.,LTD UNPUBLISHED ALL RIGHTS RESERVED UNDER THE COPYRIGHT LAWS.</small>	

LINE POST INSULATOR,  
15 KV VOLTAGE RATING



TTF POWER TECHNOLOGY CO.