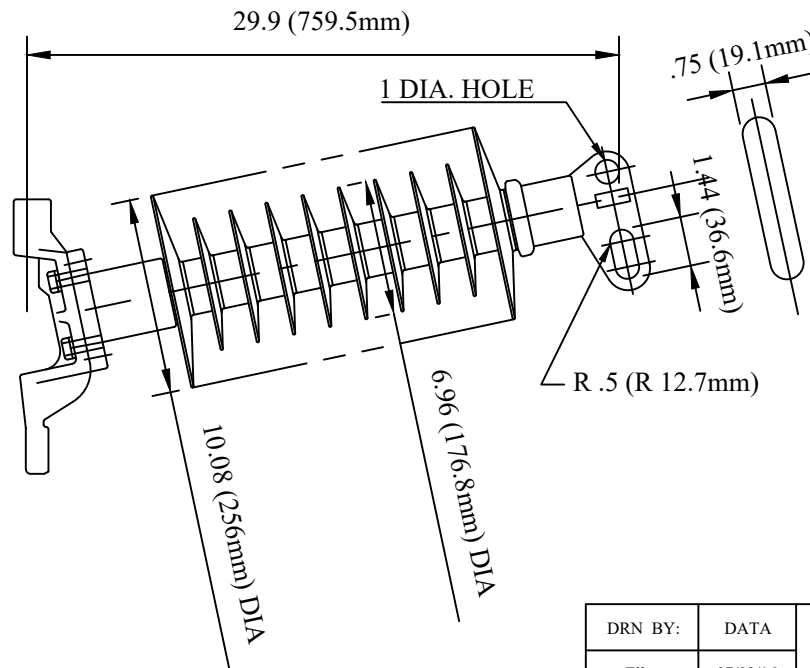
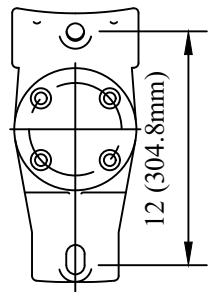
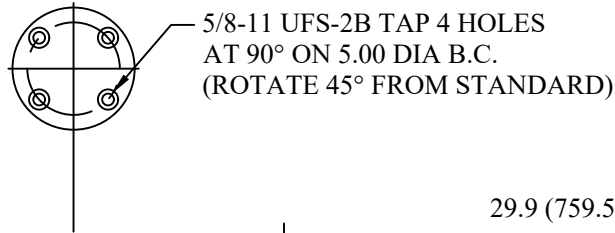


CATALOG NUMBER : 07B8H8G

STRIKE DISTANCE	23.1 IN
LEAKAGE DISTANCE	60.0 IN
DRY 60 HZ FLASHOVER	230 KV
WET 60 HZ FLASHOVER	180 KV
IMPULSE CRITICAL POSITIVE	360 KV
IMPULSE CRITICAL NEGATIVE	470 KV
IMPULSE WITHSTAND POSITIVE	330 KV
SCL	6180 LB (27.49 KN)
RCL	3090 LB (13.75 KN)
WEIGHT	50 LB



DRN BY:	DATA
Ella	07/09/16

LINE POST INSULATOR

CONFIDENTIAL THIS DRAWING AND ITS CONTENTS PROPERTY OF TIANJIN TUOFA ELECTRIC POWER TECHNOLOGY CO.,LTD. NO PUBLICATION, DISTRIBUTION OR COPIES MAY BE MADE WITHOUT THE WRITTEN CONSENT OF TIANJIN TUOFA ELECTRIC POWER TECHNOLOGY CO.,LTD. TIANJIN TUOFA ELECTRIC POWER TECHNOLOGY CO.,LTD UNPUBLISHED ALL RIGHTS RESERVED UNDER THE COPYRIGHT LAWS.



TTF POWER TECHNOLOGY CO.