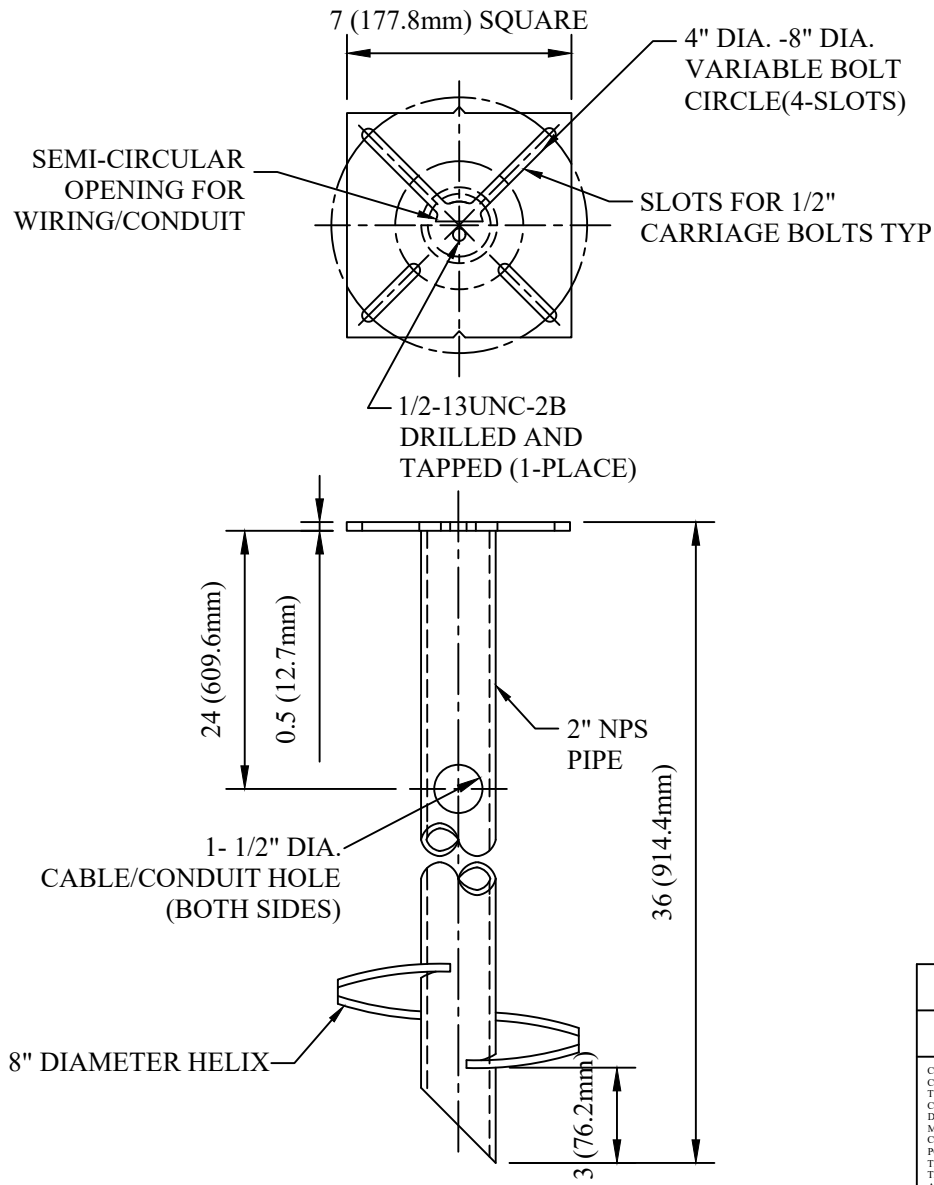


CATALOG NUMBER : 03D8N3W



NOTES:

- 1.FINISH: HOT DIP GALVANIZE PER ASTM A153(LATEST REVISION).
- 2.INCLUDES FOUR SQUARE NECK CARRIAGE BOLTS, 1/2-13UNC 2-1/4" LONG, NUTS AND WASHERS.
- 3.INSTALATION TORQUE NOT TO EXCEED 2,500 FT-LB.

DRN BY:	DATA
Ella	07/09/16
<small>CONFIDENTIAL THIS DRAWING AND ITS CONTENTS PROPERTY OF TIANJIN TUOFA ELECTRIC POWER TECHNOLOGY CO.,LTD. NO PUBLICATION, DISTRIBUTION OR COPIES MAY BE MADE WITHOUT THE WRITTEN CONSENT OF TIANJIN TUOFA ELECTRIC POWER TECHNOLOGY CO.,LTD. TIANJIN TUOFA ELECTRIC POWER TECHNOLOGY CO.,LTD UNPUBLISHED ALL RIGHTS RESERVED UNDER THE COPYRIGHT LAWS.</small>	

LIGHTING  
FOUNDATION



TTF POWER TECHNOLOGY CO.