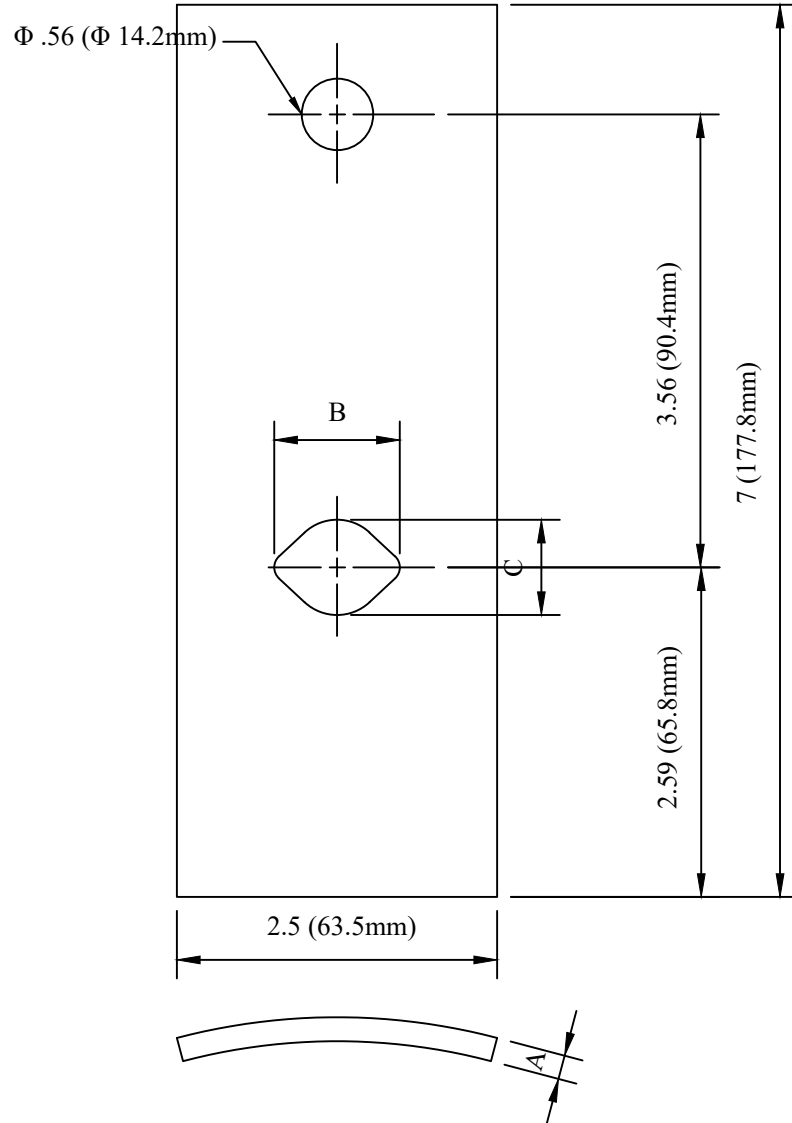
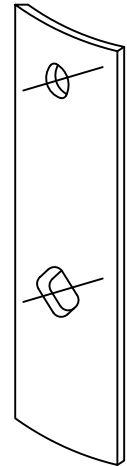


CATALOG NUMBER : 06M9Q2B



CATALOG NUMBER	"A"	"B"	"C"
06M9Q2B_1	.25 (6.4mm)	1 (25.4mm)	.88 (22.4mm)
06M9Q2B_2	.19 (4.8mm)	.97 (24.6mm)	.76 (19.3mm)



NOTES:

- 1.MATERIAL: PER TT - 169 STEEL
ALT MATERIAL PER TT - 170
ALT MATERIAL AISI M1020
OR STEEL PER ASTM A36.
- 2.FINISH: HOT DIP GALVANIZE PER ASTM A153
(LATEST REV.)

DRN BY:	DATA
Ella	07/09/16

LIFT AND LOAD PLATE

CONFIDENTIAL THIS DRAWING AND ITS CONTENTS PROPERTY OF TIANJIN TUOFA ELECTRIC POWER TECHNOLOGY CO.,LTD. NO PUBLICATION, DISTRIBUTION OR COPIES MAY BE MADE WITHOUT THE WRITTEN CONSENT OF TIANJIN TUOFA ELECTRIC POWER TECHNOLOGY CO.,LTD. TIANJIN TUOFA ELECTRIC POWER TECHNOLOGY CO.,LTD UNPUBLISHED ALL RIGHTS RESERVED UNDER THE COPYRIGHT LAWS.



TTF POWER TECHNOLOGY CO.