

CATALOG NUMBER : 0518H0K

PRODUCT DATA

CATALOG NUMBER	ULTIMATE STRENGTH LB (KN)	DIMENSIONS INCHES (MM)				APPROX WT EACH LB (KG)
		L	W	PD	BD	
0518H0K_1	30,000 (133)	10 $\frac{3}{8}$ (263.5)	1 (25.4)	$\frac{5}{8}$ (15.9)	$\frac{3}{4}$ (19.1)	3.5 (1.59)
0518H0K_2	30,000 (133)	10 $\frac{3}{8}$ (263.5)	1 (25.4)	$\frac{5}{8}$ (15.9)	$\frac{3}{4}$ (19.1)	3.5 (1.59)

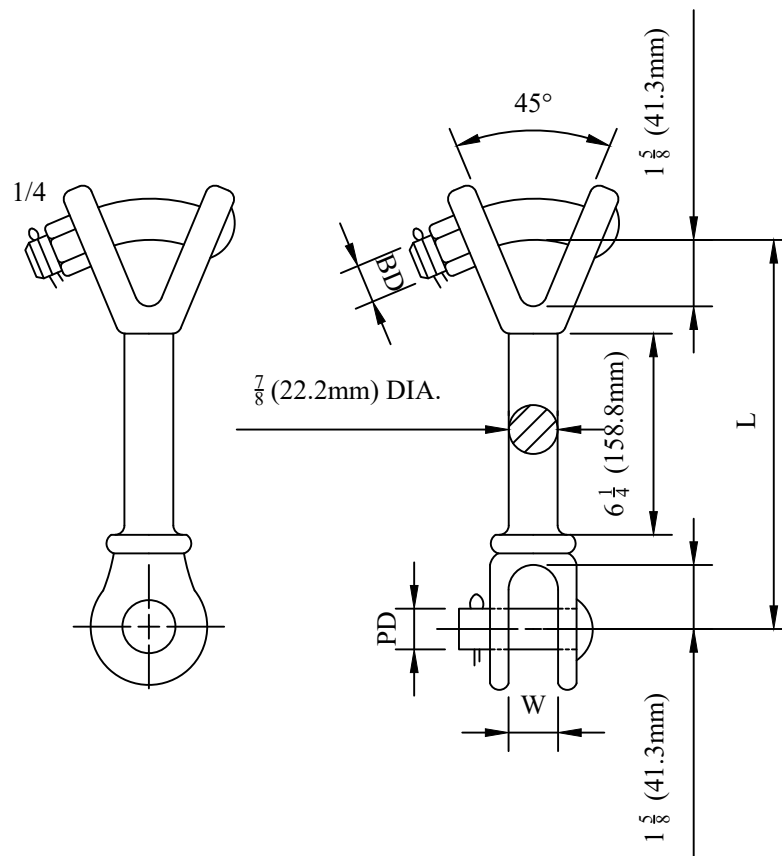
NOTES:

1.MATERIAL:

BODY - GALVANIZED DUCTILE IRON

HARDWARE - GALVANIZED STEEL

COTTER PIN - STAINLESS STEEL



DRN BY:	DATA
Ella	10/10/16
<small>CONFIDENTIAL THIS DRAWING AND ITS CONTENTS PROPERTY OF TIANJIN TUOFA ELECTRIC POWER TECHNOLOGY CO.,LTD. NO PUBLICATION, DISTRIBUTION OR COPIES MAY BE MADE WITHOUT THE WRITTEN CONSENT OF TIANJIN TUOFA ELECTRIC POWER TECHNOLOGY CO.,LTD. TIANJIN TUOFA ELECTRIC POWER TECHNOLOGY CO.,LTD UNPUBLISHED ALL RIGHTS RESERVED UNDER THE COPYRIGHT LAWS.</small>	

JUMPER CLAMP,DUAL YOKE



TTF POWER TECHNOLOGY CO.