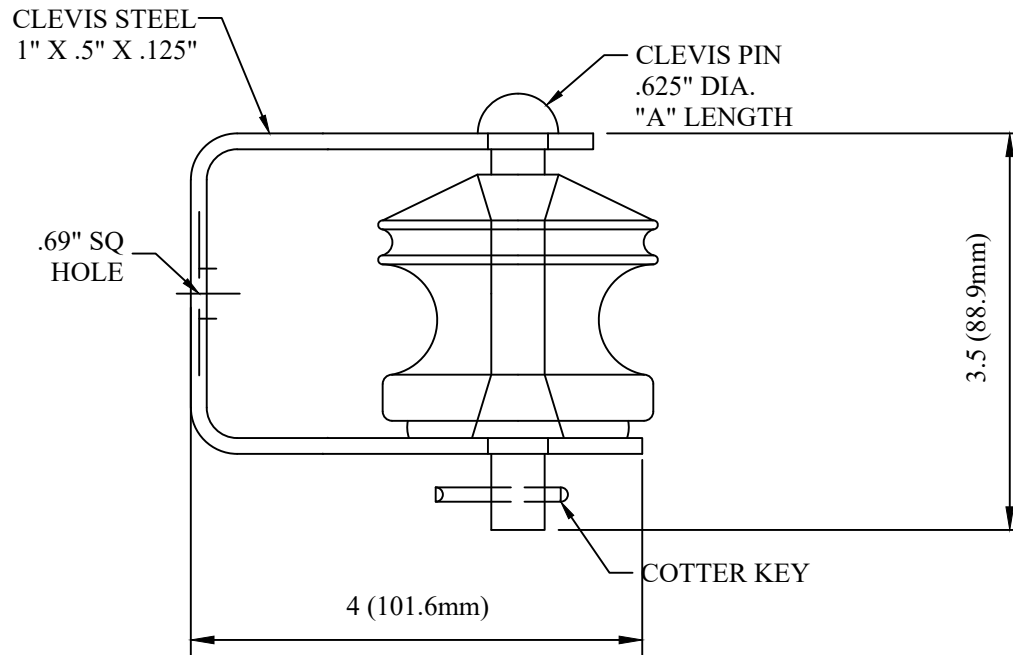


CATALOG NUMBER : 04C8F9Y

NOTES:

- 1.MATERIAL: STEEL, HOT DIP GALVANIZE PER ASTM A153(LATEST REV.)
- 2.INSULATOR IS SOLD SEPARATELY FROM CLEVIS.



CATALOG NUMBER	DESCRIPTION	"A"
04C8F9Y_1	INSULATOR CLEVIS	4.75" (120.7mm)
04C8F9Y_2	INSULATOR CLEVIS	5.25" (133.4mm)

DRN BY:	DATA
Ella	07/09/16

CONFIDENTIAL THIS DRAWING AND ITS CONTENTS PROPERTY OF TIANJIN TUOFA ELECTRIC POWER TECHNOLOGY CO.,LTD. NO PUBLICATION, DISTRIBUTION OR COPIES MAY BE MADE WITHOUT THE WRITTEN CONSENT OF TIANJIN TUOFA ELECTRIC POWER TECHNOLOGY CO.,LTD. TIANJIN TUOFA ELECTRIC POWER TECHNOLOGY CO.,LTD UNPUBLISHED ALL RIGHTS RESERVED UNDER THE COPYRIGHT LAWS.

INSULATED
SECONDARY CLEVIS



TTF POWER TECHNOLOGY CO.