

CATALOG NUMBER : 05I9F4Q

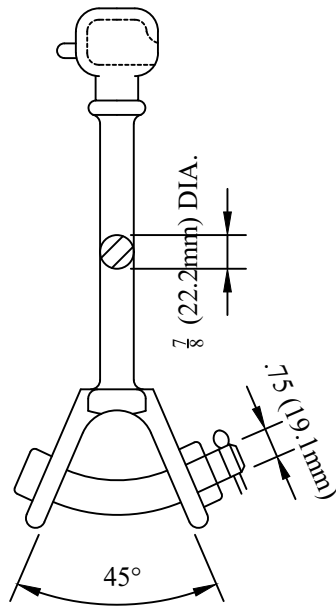
NOTES:

1.MATERIAL:

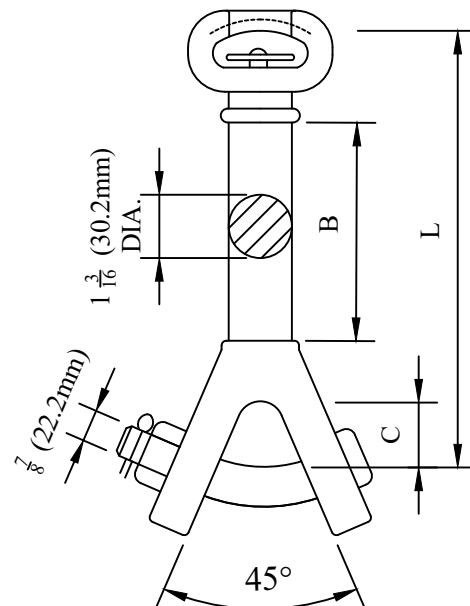
BODY - GALVANIZED DUCTILE IRON

HARDWARE - GALVANIZED STEEL

COTTER PIN - STAINLESS STEEL



05I9F4Q_1 & 2



05I9F4Q_3

PRODUCT DATA

CATALOG NUMBER	ULTIMATE STRENGTH LB (KN)	DIMENSION INCHES (MM)			APPROX WT EACH LB (KG)
		L	B	C	
05I9F4Q_1	30,000 (133)	9 ¹¹ / ₁₆ (246.1)	6 (152.4)	1 ⁹ / ₁₆ (39.7)	3.6 (1.63)
05I9F4Q_2	30,000 (133)	9 ¹¹ / ₁₆ (246.1)	6 (152.4)	1 ⁹ / ₁₆ (39.7)	3.6 (1.63)
05I9F4Q_3	50,000 (222)	10 ⁵ / ₁₆ (261.9)	5 ²⁹ / ₃₂ (150)	1 ⁵ / ₈ (41.3)	7.5 (3.40)



DRN BY: DATA

Ella 07/09/16

CONFIDENTIAL THIS DRAWING AND ITS CONTENTS PROPERTY OF TIANJIN TUOFA ELECTRIC POWER TECHNOLOGY CO.,LTD. NO PUBLICATION, DISTRIBUTION OR COPIES MAY BE MADE WITHOUT THE WRITTEN CONSENT OF TIANJIN TUOFA ELECTRIC POWER TECHNOLOGY CO.,LTD. TIANJIN TUOFA ELECTRIC POWER TECHNOLOGY CO.,LTD UNPUBLISHED ALL RIGHTS RESERVED UNDER THE COPYRIGHT LAWS.

HOT LINE Y-CLEVIS
OVAL-EYE



TTF POWER TECHNOLOGY CO.