

CATALOG NUMBER : 05I3P4F

NOTES:

1. MATERIAL:

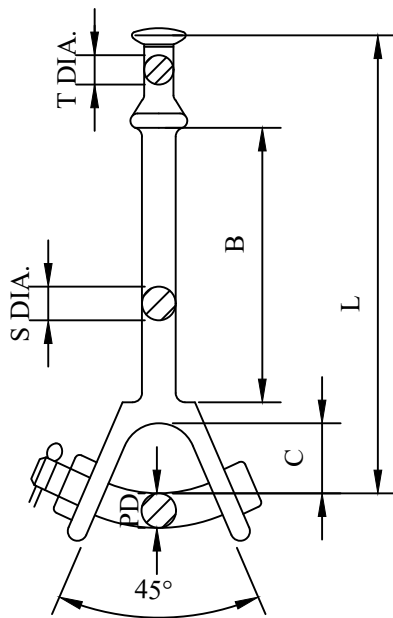
BODY - GALVANIZED DUCTILE IRON

CLEVIS PIN - GALVANIZED STEEL

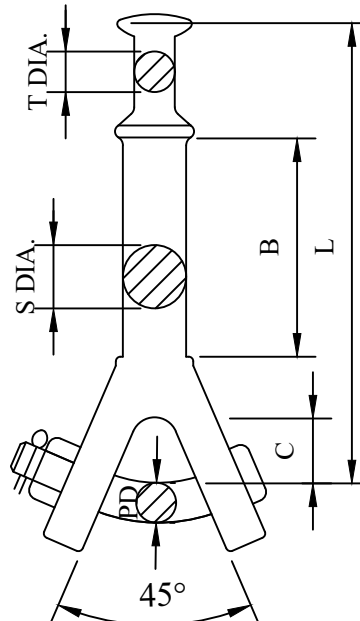
COTTER PIN - STAINLESS STEEL

PRODUCT DATA

CATALOG NUMBER	ULTIMATE STRENGTH LB (KN)	DIMENSION INCHES (MM)						APPROX WT EACH LB (KG)
		L	B	C	PD	S DIAMETER	T DIAMETER	
05I3P4F_1	30,000 (133)	9 ⁵ / ₁₆ (236.5)	5 ³ / ₈ (136.5)	1 ¹ / ₂ (38.1)	³ / ₄ (19.1)	⁷ / ₈ (22.2)	²³ / ₃₂ (18.3)	2.8 (1.27)
05I3P4F_2	50,000 (222)	11 (279.4)	6 ¹³ / ₁₆ (173)	1 ¹¹ / ₁₆ (42.9)	⁷ / ₈ (22.2)	⁷ / ₈ (22.2)	⁵⁷ / ₆₄ (22.6)	4.42 (2.00)



05I3P4F_2



05I3P4F_1



DRN BY: DATA

Ella 07/09/16

CONFIDENTIAL THIS DRAWING AND ITS CONTENTS PROPERTY OF TIANJIN TUOFA ELECTRIC POWER TECHNOLOGY CO.,LTD. NO PUBLICATION, DISTRIBUTION OR COPIES MAY BE MADE WITHOUT THE WRITTEN CONSENT OF TIANJIN TUOFA ELECTRIC POWER TECHNOLOGY CO.,LTD. TIANJIN TUOFA ELECTRIC POWER TECHNOLOGY CO.,LTD UNPUBLISHED ALL RIGHTS RESERVED UNDER THE COPYRIGHT LAWS.

HOT LINE
Y-CLEVIS



TTF POWER TECHNOLOGY CO.