

CATALOG NUMBER : 05D2B1Q

NOTES:

1.MATERIAL:

- BODY AND KEEPER – BC/BH—BRASS ALLOY
- BC/BH—FTP—BRASS ALLOY
- TIN PLATED
- EYEBOLT – BRONZE ALLOY
- EYESTEM – BRONZE ALLOY OR STAINLESS STEEL
- WASHER – BH—SILICON BRONZE
- BC/BH—FTP—STAINLESS STEEL



FIGURE 1

FIGURE 1A

FIGURE 2

FIGURE 3

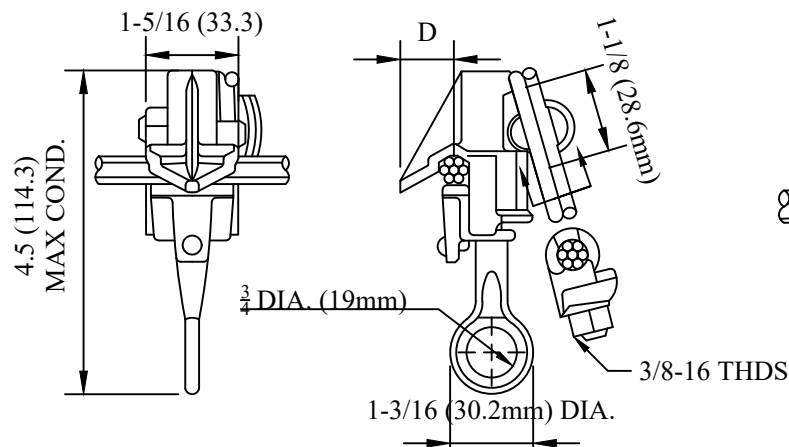


FIGURE 1 & 1A (BC & BC-LD)

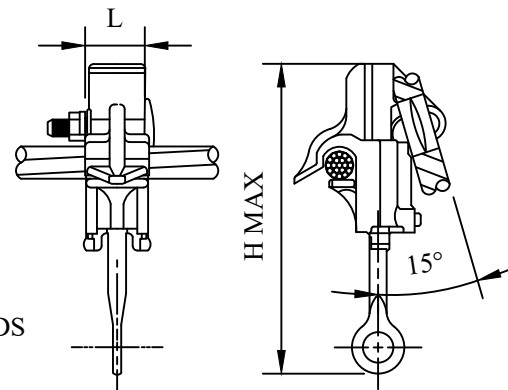


FIGURE 2 (BH)

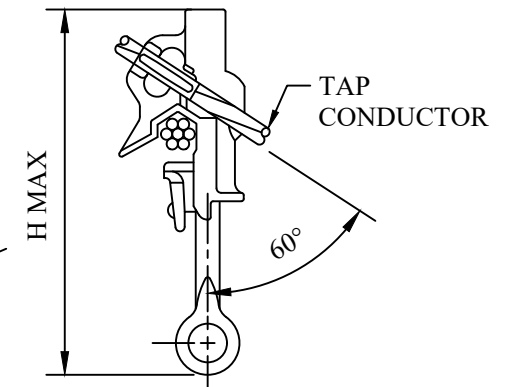


FIGURE 3 (S1530CC/S1540CC)

DRN BY:	DATA
Ella	10/10/16
<small>CONFIDENTIAL THIS DRAWING AND ITS CONTENTS PROPERTY OF TIANJIN TUOFA ELECTRIC POWER TECHNOLOGY CO.,LTD. NO PUBLICATION, DISTRIBUTION OR COPIES MAY BE MADE WITHOUT THE WRITTEN CONSENT OF TIANJIN TUOFA ELECTRIC POWER TECHNOLOGY CO.,LTD. TIANJIN TUOFA ELECTRIC POWER TECHNOLOGY CO.,LTD UNPUBLISHED ALL RIGHTS RESERVED UNDER THE COPYRIGHT LAWS.</small>	

HOT LINE TAP CLAMP



TTF POWER TECHNOLOGY CO.

CATALOG NUMBER : 05D2B1Q

PRODUCT DATA & CONDUCTOR SIZE										
CATALOG NUMBER	MAIN LINE	TAP	FIG. NO.	PLATING	CONDUCTOR RANGE (AWG)		DIMENSIONS INCHES(MM)			APPROX. WT. EACH LBS.(KG)
					MAIN	TAP	D	L	H	
05D2B1Q_1	CU	CU	1	NONE	#8 SOL - 2/0 STR. .128" - .419" (3.25 - 10.64)	#8 SOL - 2/0 STR. .128" - .414" (3.25 - 10.51)	.78 (19.81)	1-1/4 (31.7)	5.0 (127.0)	0.7 (.32)
05D2B1Q_2	CU	CU		NONE						
05D2B1Q_3	CU	CU		TIN PLATED						
05D2B1Q_4	CU	CU		TIN PLATED						
05D2B1Q_5	CU	CU	1A	NONE						
05D2B1Q_6	CU	CU		NONE						
05D2B1Q_7	CU	CU		TIN PLATED						
05D2B1Q_8	CU	CU		TIN PLATED						
05D2B1Q_9	CU	CU	2	NONE	#6 SOL - 400MCM .162" - .745" (4.12 - 18.96)	#6 SOL - 4/0 STR. .162" - .547" (4.12 - 13.89)	-	1-3/8 (34.92)	6-3/4 (171.45)	1.71 (.78)
05D2B1Q_10	CU	CU		NONE						
05D2B1Q_11	CU	CU		TIN PLATED						
05D2B1Q_12	CU	CU		TIN PLATED						
05D2B1Q_13	CU	CU	3	NONE	#6 SOL - 400MCM .162" - .745" (4.12 - 18.96)	#6 SOL - 4/0 STR. .162" - .547" (4.12 - 13.89)	-	1-3/8 (34.92)	6-3/4 (171.45)	1.59 (.72)
05D2B1Q_14	CU	CU		TIN PLATED						
05D2B1Q_15	CU	CU		NONE						
05D2B1Q_16	CU	CU		TIN PLATED						
					4/0 STR. - 800MCM .502" - 1.031" (12.78 - 26.24)	#4 SOL - 350MCM .198" - .703" (5.04 - 17.98)		1-7/8 (48)	8-1/4 (210)	2.03 (.92)

DRN BY:	DATA
Ella	10/10/16
<small>CONFIDENTIAL THIS DRAWING AND ITS CONTENTS PROPERTY OF TIANJIN TUOFA ELECTRIC POWER TECHNOLOGY CO.,LTD. NO PUBLICATION, DISTRIBUTION OR COPIES MAY BE MADE WITHOUT THE WRITTEN CONSENT OF TIANJIN TUOFA ELECTRIC POWER TECHNOLOGY CO.,LTD. TIANJIN TUOFA ELECTRIC POWER TECHNOLOGY CO.,LTD UNPUBLISHED ALL RIGHTS RESERVED UNDER THE COPYRIGHT LAWS.</small>	

HOT LINE TAP CLAMP



TTF POWER TECHNOLOGY CO.