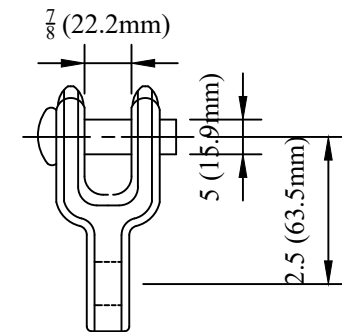
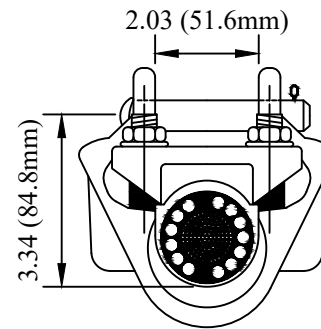
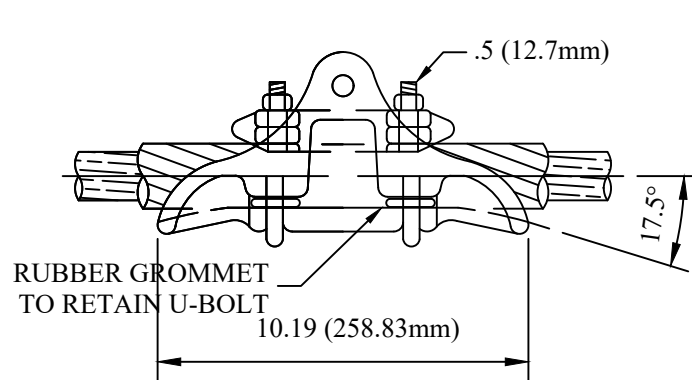


CATALOG NUMBER : 05G9C8X



SOCKET TYPE

NOTES:

1.MATERIAL:

- CLAMP BODY - HIGH-TEMPERATURE ALUMINUM ALLOY
- KEEPER - ALUMINUM ALLOY
- HARDWARE - GALVANIZED STEEL
- SOCKET - GALVANIZED IRON
- COTTER PIN - STAINLESS STEEL
- GROMMET - NEOPRENE

DRN BY:	DATA
Ella	07/09/16
<small>CONFIDENTIAL THIS DRAWING AND ITS CONTENTS PROPERTY OF TIANJIN TUOFA ELECTRIC POWER TECHNOLOGY CO.,LTD. NO PUBLICATION, DISTRIBUTION OR COPIES MAY BE MADE WITHOUT THE WRITTEN CONSENT OF TIANJIN TUOFA ELECTRIC POWER TECHNOLOGY CO.,LTD. TIANJIN TUOFA ELECTRIC POWER TECHNOLOGY CO.,LTD UNPUBLISHED ALL RIGHTS RESERVED UNDER THE COPYRIGHT LAWS.</small>	

**HIGH TEMPERATURE ALUMINUM
ALLOY SUSPENSION CLAMP,
WEIGHT: 9 LB**



TTF POWER TECHNOLOGY CO.