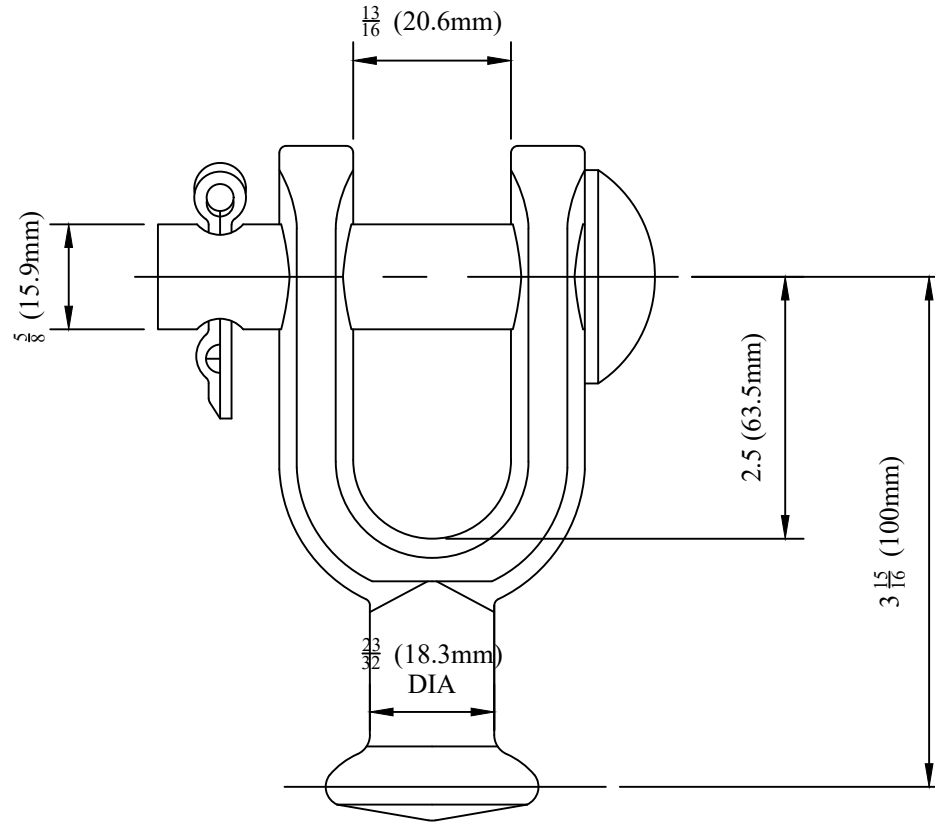


CATALOG NUMBER : 05A104E



NOTES:

1.MATERIAL:

BODY & CLEVIS PIN-GALV STEEL.

CLEVIS PIN - GALVANIZED STEEL.

COTTER PIN - STAINLESS STEEL.

2.30,000LBS ULT STRENGTH.

3.FOR USE WITH INSULATORS CLASS 52-3/52-2 PER ANSI C29.2.

4.GALVANIZED PER ASTM A153.

DRN BY:	DATA
Ella	07/09/16
<small>CONFIDENTIAL THIS DRAWING AND ITS CONTENTS PROPERTY OF TIANJIN TUOFA ELECTRIC POWER TECHNOLOGY CO.,LTD. NO PUBLICATION, DISTRIBUTION OR COPIES MAY BE MADE WITHOUT THE WRITTEN CONSENT OF TIANJIN TUOFA ELECTRIC POWER TECHNOLOGY CO.,LTD. TIANJIN TUOFA ELECTRIC POWER TECHNOLOGY CO.,LTD UNPUBLISHED ALL RIGHTS RESERVED UNDER THE COPYRIGHT LAWS.</small>	

GALVANIZED STEEL BALL CLEVIS,
1.176 LB



TTF POWER TECHNOLOGY CO.