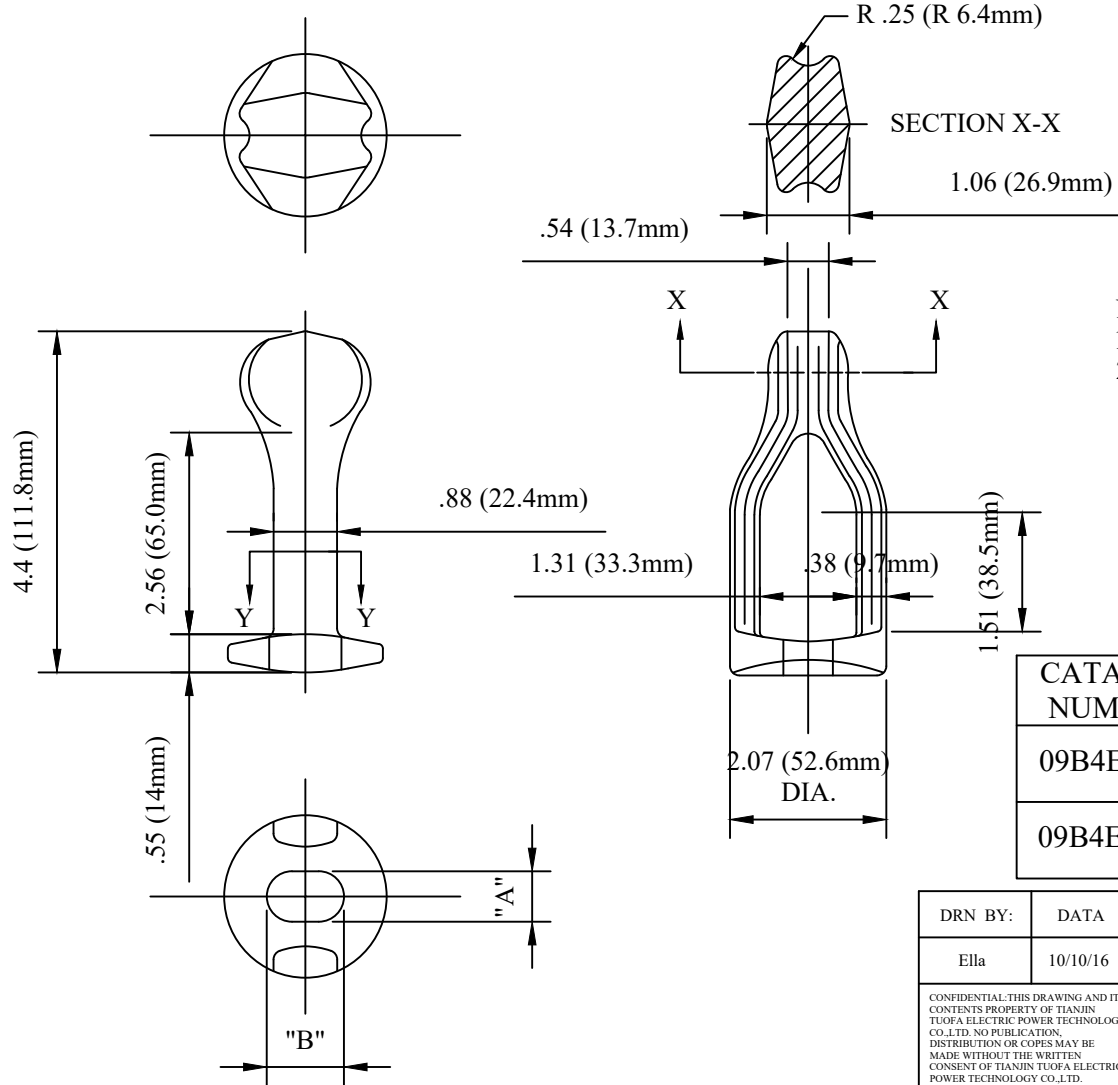


CATALOG NUMBER : 09B4E0B



NOTES:

- 1.MATERIAL: STEEL PER TT-159.
- 2.FINISH: HOT DIP GALVANIZE PER ASTM A153 (LATEST REV.)

| CATALOG NUMBER | DESCRIPTION | "A" | "B" |
|----------------|--------------------|--------------|----------------|
| 09B4E0B_1 | STRAIGHT THIMBLEYE | .69 (17.5mm) | 1 (25.4mm) |
| 09B4E0B_2 | STRAIGHT THIMBLEYE | .81 (20.6mm) | 1.125 (28.6mm) |

| | |
|---|----------|
| DRN BY: | DATA |
| Ella | 10/10/16 |
| <small>CONFIDENTIAL THIS DRAWING AND ITS CONTENTS PROPERTY OF TIANJIN TUOFA ELECTRIC POWER TECHNOLOGY CO.,LTD. NO PUBLICATION, DISTRIBUTION OR COPIES MAY BE MADE WITHOUT THE WRITTEN CONSENT OF TIANJIN TUOFA ELECTRIC POWER TECHNOLOGY CO.,LTD. TIANJIN TUOFA ELECTRIC POWER TECHNOLOGY CO.,LTD UNPUBLISHED ALL RIGHTS RESERVED UNDER THE COPYRIGHT LAWS.</small> | |

EYELET



TTF POWER TECHNOLOGY CO.