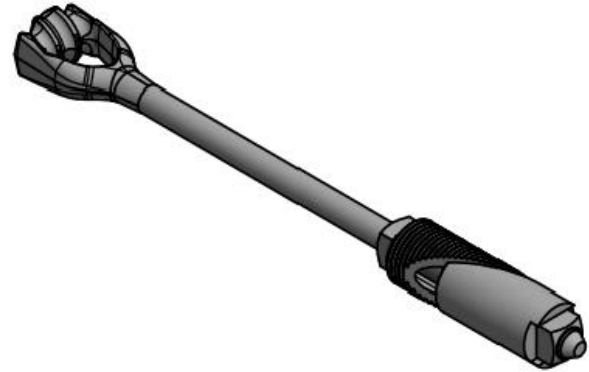
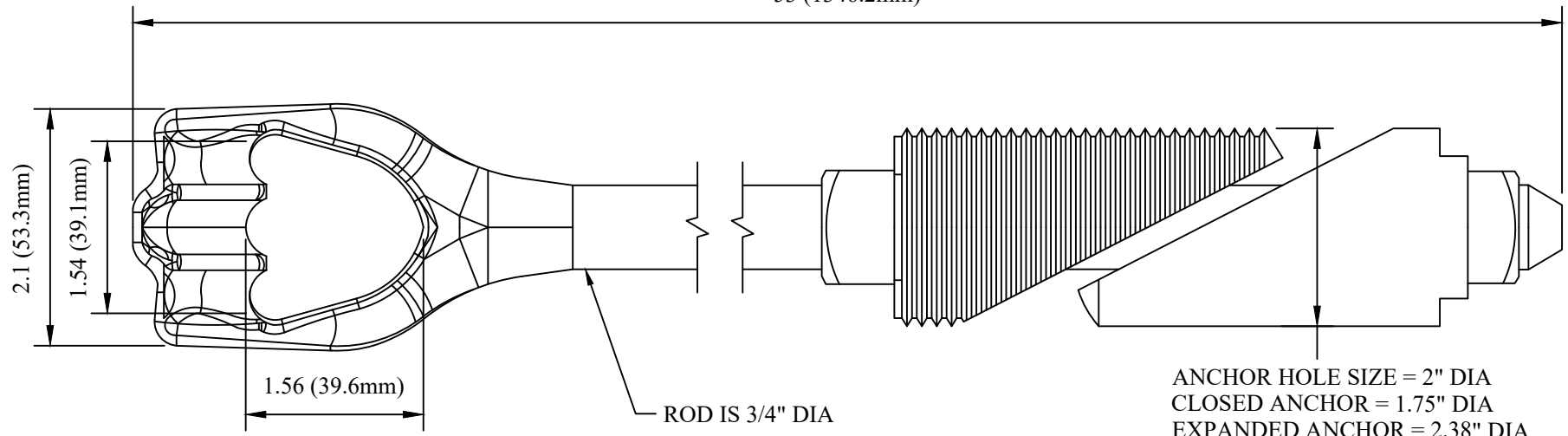


CATALOG NUMBER : 03G3G70



53 (1346.2mm)



ULTIMATE TENSILE STRENGTH: 23,000 LBS

DRN BY:	DATA
Ella	07/09/16

CONFIDENTIAL THIS DRAWING AND ITS CONTENTS PROPERTY OF TIANJIN TUOFA ELECTRIC POWER TECHNOLOGY CO.,LTD. NO PUBLICATION, DISTRIBUTION OR COPIES MAY BE MADE WITHOUT THE WRITTEN CONSENT OF TIANJIN TUOFA ELECTRIC POWER TECHNOLOGY CO.,LTD. TIANJIN TUOFA ELECTRIC POWER TECHNOLOGY CO.,LTD UNPUBLISHED ALL RIGHTS RESERVED UNDER THE COPYRIGHT LAWS.

EXPANDING ROCK ANCHOR WITH TRIPLEYE, TENSILE STRENGTH: 23000 LB



TTF POWER TECHNOLOGY CO.