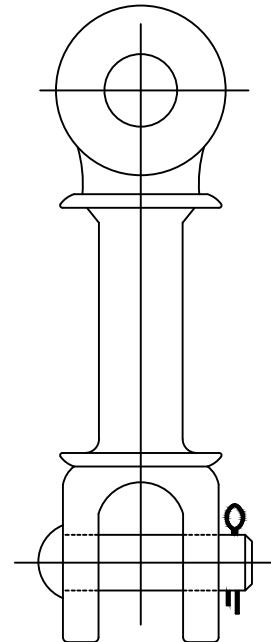
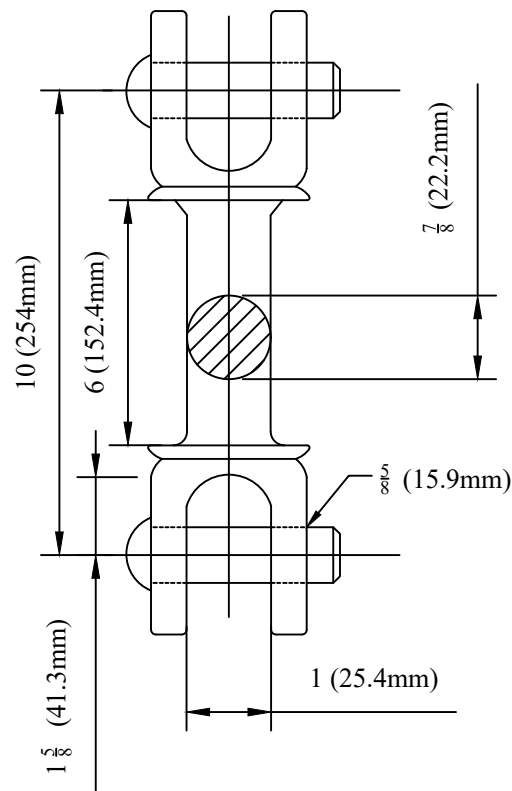


CATALOG NUMBER : 05I3B6N



NOTES:

1.MATERIAL:

BODY - GALVANIZED DUCTILE IRON
 CLEVIS PIN - GALVANIZED STEEL
 COTTER PIN - STAINLESS STEEL

DRN BY:	DATA
Ella	07/09/16

DUCTILE IRON, OVAL-EYE, HOT LINE
 LINK, 3.332 LB

CONFIDENTIAL THIS DRAWING AND ITS
 CONTENTS PROPERTY OF TIANJIN
 TUOFA ELECTRIC POWER TECHNOLOGY
 CO.,LTD. NO PUBLICATION,
 DISTRIBUTION OR COPIES MAY BE
 MADE WITHOUT THE WRITTEN
 CONSENT OF TIANJIN TUOFA ELECTRIC
 POWER TECHNOLOGY CO.,LTD.
 TIANJIN TUOFA ELECTRIC POWER
 TECHNOLOGY CO.,LTD UNPUBLISHED
 ALL RIGHTS RESERVED UNDER THE
 COPYRIGHT LAWS.



TTF POWER TECHNOLOGY CO.