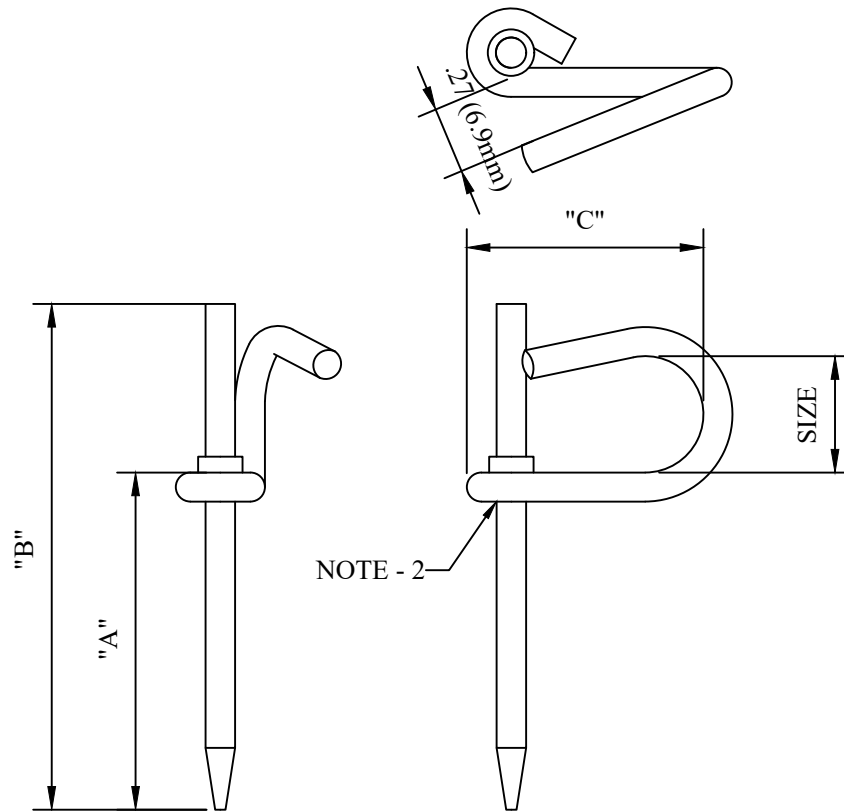
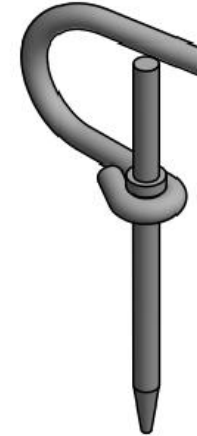


CATALOG NUMBER : 06N7M3W

NOTES:

1. USED TO SECURE OR TEMPORARILY SUPPORT DROP CABLE ON THE POLE.
2. RING IS INSTALLED SECURELY TO PIN AND DOES.
3. MEETS BELLCORE CA06835.
4. STEEL, GALVANIZED PER ASTM A153.



CATALOG NUMBER	SIZE	"A"	"B"	"C"
06N7M3W_1	1/2	1 3/8	2 1/16	3/4
06N7M3W_2	5/8	1 7/16	2 1/4	1 1/8
06N7M3W_3	5/8L	1 15/16	2 3/4	1 1/8
06N7M3W_4	7/8	1 1/2	2 9/16	2 1/16
06N7M3W_5	7/8L	2	3 1/16	2 1/16
06N7M3W_6	1 1/4	1 5/8	2 15/16	2 3/4
06N7M3W_7	1 1/4L	2 1/8	3 7/16	2 3/4

DRN BY:	DATA
Ella	07/09/16

DRIVE RING

CONFIDENTIAL THIS DRAWING AND ITS CONTENTS PROPERTY OF TIANJIN TUOFA ELECTRIC POWER TECHNOLOGY CO.,LTD. NO PUBLICATION, DISTRIBUTION OR COPIES MAY BE MADE WITHOUT THE WRITTEN CONSENT OF TIANJIN TUOFA ELECTRIC POWER TECHNOLOGY CO.,LTD. TIANJIN TUOFA ELECTRIC POWER TECHNOLOGY CO.,LTD UNPUBLISHED ALL RIGHTS RESERVED UNDER THE COPYRIGHT LAWS.



TTF POWER TECHNOLOGY CO.