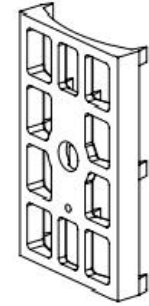
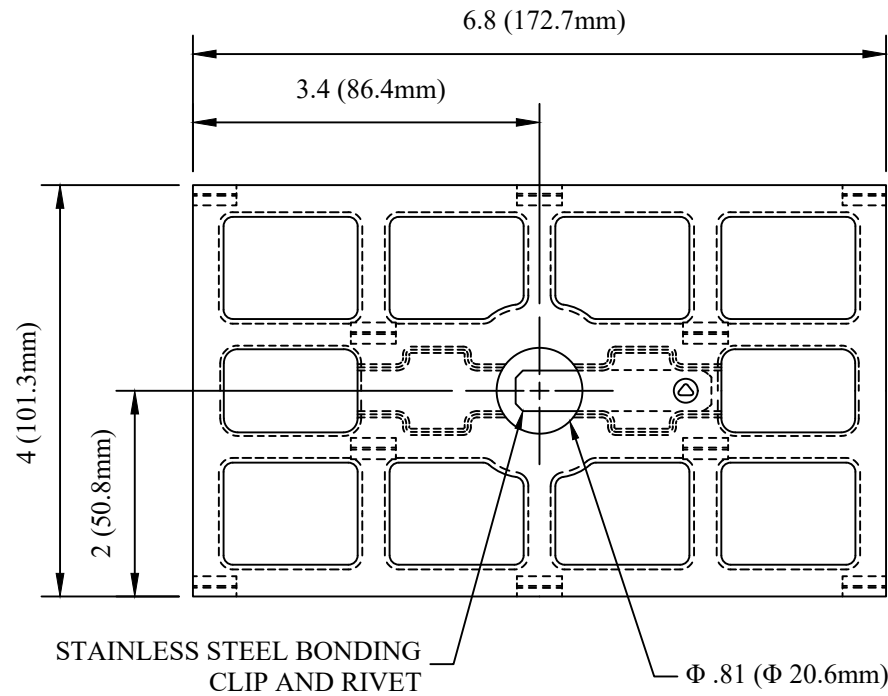


CATALOG NUMBER : 06C1W8Z



NOTES:

- 1.MATERIAL: DUCTILE IRON (MINUS HARDWARE).
- 2.FINISH: HOT DIP GALVANIZE (MINUS HARDWARE).

DRN BY:	DATA
Ella	10/10/16

CROSSARM GRID GAIN

CONFIDENTIAL THIS DRAWING AND ITS CONTENTS PROPERTY OF TIANJIN TUOFA ELECTRIC POWER TECHNOLOGY CO.,LTD. NO PUBLICATION, DISTRIBUTION OR COPIES MAY BE MADE WITHOUT THE WRITTEN CONSENT OF TIANJIN TUOFA ELECTRIC POWER TECHNOLOGY CO.,LTD. TIANJIN TUOFA ELECTRIC POWER TECHNOLOGY CO.,LTD UNPUBLISHED ALL RIGHTS RESERVED UNDER THE COPYRIGHT LAWS.



TTF POWER TECHNOLOGY CO.