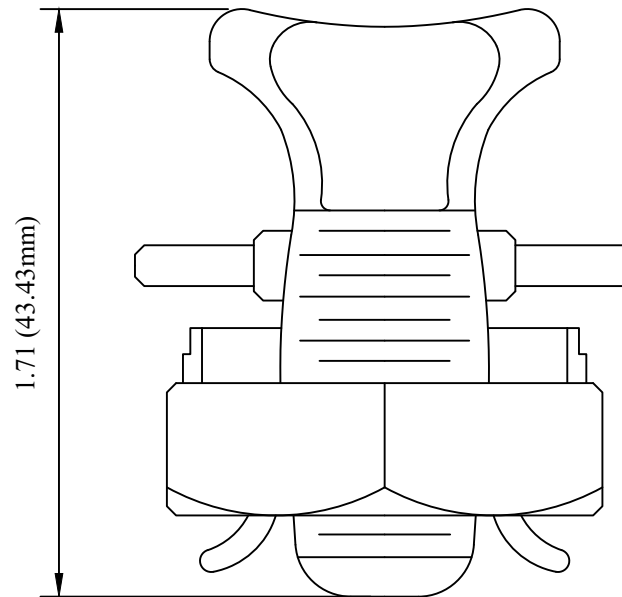
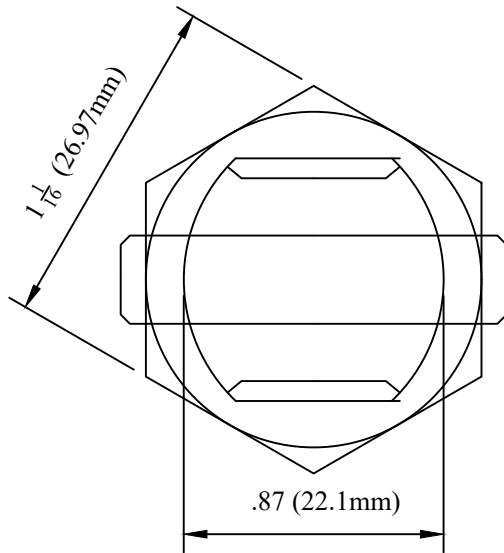


CATALOG NUMBER : 09D8B2S

PRODUCT DATA & CONDUCTOR SIZE				
CONDUCTOR RANGE OF EQUAL MAIN & TAP (AWG OR MCM)		MIN. TAP WITH ONE MAX.MAIN	BOLT SIE	APPROX.WT.EACH LBS.(KG)
MIN.	MAX.			
2	2/0	8	3/4	0.21 (.10)



FOR COPPER TO COPPER CONDUCTORS.

NOTES:

- 1.MATERIAL: COPPER ALLOY, ELECTRO TIN - PLATED.
- 2.OXIDE INHIBITING COMPOUND IS RECOMMENDED FOR USE WITH AL/CU PARALLEL CONNECTORS.
- 3.HEX HEAD DESIGN FOR MAXIMUM TOOL EASE OF USE.

DRN BY:	DATA
Ella	07/09/16
<small>CONFIDENTIAL: THIS DRAWING AND ITS CONTENTS PROPERTY OF TIANJIN TUOFA ELECTRIC POWER TECHNOLOGY CO.,LTD. NO PUBLICATION, DISTRIBUTION OR COPIES MAY BE MADE WITHOUT THE WRITTEN CONSENT OF TIANJIN TUOFA ELECTRIC POWER TECHNOLOGY CO.,LTD. TIANJIN TUOFA ELECTRIC POWER TECHNOLOGY CO.,LTD UNPUBLISHED ALL RIGHTS RESERVED UNDER THE COPYRIGHT LAWS.</small>	

COPPER SPLIT BOLT CONNECTOR,
WEIGHT: 0.206 LB



TTF POWER TECHNOLOGY CO.