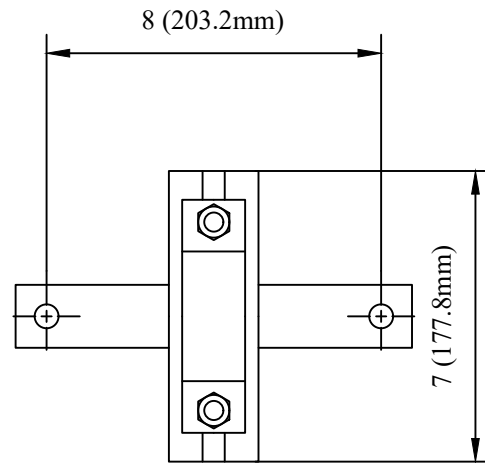
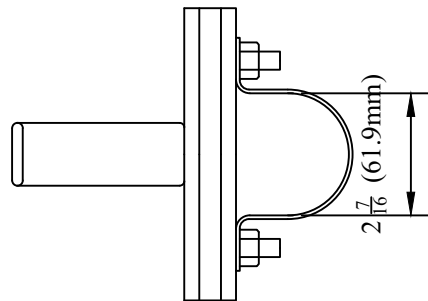
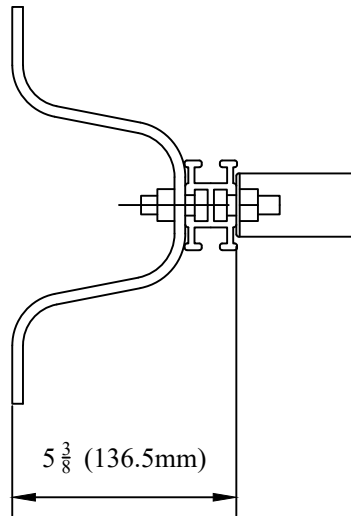
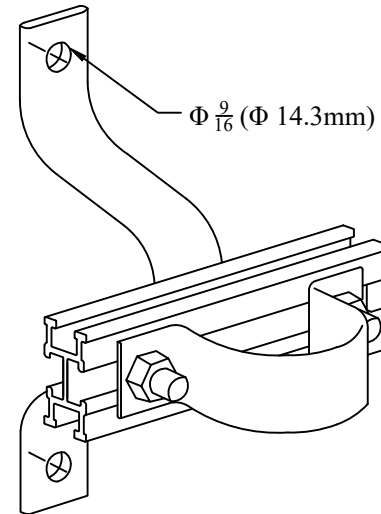


CATALOG NUMBER : 04D1X6S



NOTES:

- 1.MATERIAL: 6061 ALUMINUM
- 2.ASSEMBLED COMPLETE AS SHOWN.



DRN BY:	DATA
Ella	07/09/16

CONDUIT BRACKET WITH TWO 1/2 IN MACHINE BOLTS

CONFIDENTIAL THIS DRAWING AND ITS CONTENTS PROPERTY OF TIANJIN TUOFA ELECTRIC POWER TECHNOLOGY CO.,LTD. NO PUBLICATION, DISTRIBUTION OR COPIES MAY BE MADE WITHOUT THE WRITTEN CONSENT OF TIANJIN TUOFA ELECTRIC POWER TECHNOLOGY CO.,LTD. TIANJIN TUOFA ELECTRIC POWER TECHNOLOGY CO.,LTD UNPUBLISHED ALL RIGHTS RESERVED UNDER THE COPYRIGHT LAWS.



TTF POWER TECHNOLOGY CO.