

CATALOG NUMBER : 05F6V1H

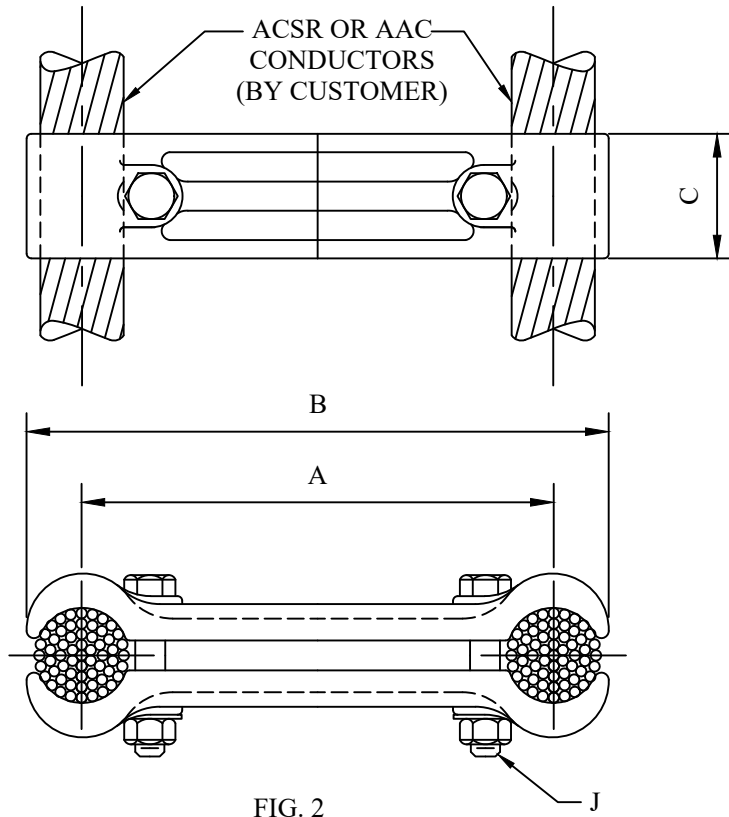


FIG. 2

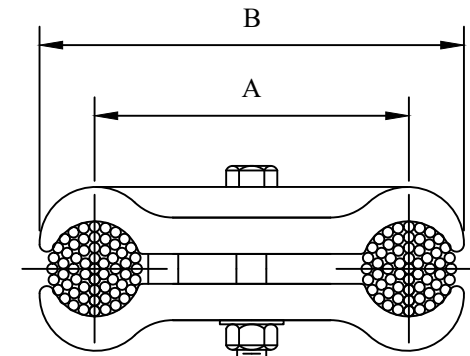


FIG. 1

NOTES:

- 1.MATERIAL: 356-T6 ALUMINUM ALLOY
- 2.DIMENSION IN INCHES
- 2.FOR SUBSTATION USE ONLY, DO NOT USE FOR OVERHEAD TRANSMISSION LINES

DRN BY:	DATA
Ella	10/10/16
<small>CONFIDENTIAL THIS DRAWING AND ITS CONTENTS PROPERTY OF TIANJIN TUOFA ELECTRIC POWER TECHNOLOGY CO.,LTD. NO PUBLICATION, DISTRIBUTION OR COPIES MAY BE MADE WITHOUT THE WRITTEN CONSENT OF TIANJIN TUOFA ELECTRIC POWER TECHNOLOGY CO.,LTD. TIANJIN TUOFA ELECTRIC POWER TECHNOLOGY CO.,LTD UNPUBLISHED ALL RIGHTS RESERVED UNDER THE COPYRIGHT LAWS.</small>	

CABLE SPACER



TTF POWER TECHNOLOGY CO.

CATALOG NUMBER : 05F6V1H

CATALOG NUMBER	CONDUCTOR RANGE (MCM)		DECIMAL RANGE	FIG. NO.	A	B	C	J
	AAC	ACR						
05F6V1H_1	350-600	336.4-477	0.681-0.893	1	4.000	5.250	1.750	0.500
05F6V1H_2	350-600	336.4-477	0.681-0.893	2	8.000	9.250	1.750	0.500
05F6V1H_3	350-600	336.4-477	0.681-0.893	2	12.000	13.250	1.750	0.500
05F6V1H_4	600-900	556.5-795	0.893-1.108	1	4.000	5.500	1.750	0.500
05F6V1H_5	600-900	556.5-795	0.893-1.108	2	8.000	9.500	1.750	0.500
05F6V1H_6	600-900	556.5-795	0.893-1.108	2	12.000	13.500	1.750	0.500
05F6V1H_7	900-1250	715.5-1113	1.036-1.293	1	4.000	5.750	2.125	0.625
05F6V1H_8	900-1250	715.5-1113	1.036-1.293	2	6.000	7.750	2.125	0.500
05F6V1H_9	900-1250	715.5-1113	1.036-1.293	2	8.000	9.750	2.125	0.500
05F6V1H_10	900-1250	715.5-1113	1.036-1.293	2	12.000	13.750	2.125	0.500
05F6V1H_11	900-1250	715.5-1113	1.036-1.293	2	16.000	17.750	2.125	0.500
05F6V1H_12	1250-1600	1113-1272	1.289-1.459	1	4.000	5.875	2.125	0.625
05F6V1H_13	1250-1600	1113-1272	1.289-1.459	2	6.500	8.563	2.125	0.625
05F6V1H_14	1250-1600	1113-1272	1.289-1.459	2	8.000	9.875	2.125	0.500
05F6V1H_15	1250-1600	1113-1272	1.289-1.459	2	12.000	13.875	2.125	0.500
05F6V1H_16	1500-2000	1272-1590	1.382-1.632	1	3.000	5.063	2.125	0.625
05F6V1H_17	1500-2000	1272-1590	1.382-1.632	2	4.000	6.063	2.125	0.625
05F6V1H_18	1500-2000	1272-1590	1.382-1.632	2	5.000	7.063	2.125	0.625
05F6V1H_19	1500-2000	1272-1590	1.382-1.632	2	6.000	8.063	2.125	0.625
05F6V1H_20	1500-2000	1272-1590	1.382-1.632	2	6.500	8.563	2.125	0.625
05F6V1H_21	1500-2000	1272-1590	1.382-1.632	2	8.000	10.063	2.125	0.625
05F6V1H_22	1500-2000	1272-1590	1.382-1.632	2	12.000	14.063	2.125	0.625
05F6V1H_23	1500-2000	1272-1590	1.382-1.632	2	18.000	20.250	2.125	0.625
05F6V1H_24	2000-2500	2156-2167	1.632-1.824	1	4.000	6.250	2.125	0.625
05F6V1H_25	2000-2500	2156-2167	1.632-1.824	2	8.000	10.250	2.125	0.625
05F6V1H_26	2000-2500	2156-2167	1.632-1.824	2	12.000	14.250	2.125	0.625
05F6V1H_27	2000-2500	2156-2167	1.632-1.824	2	18.000	20.250	2.125	0.625
05F6V1H_28	2500-3000	--	1.823-2.000	1	4.000	6.625	2.125	0.750
05F6V1H_29	2500-3000	--	1.823-2.000	2	8.000	10.625	2.125	0.625

DRN BY:	DATA
Ella	10/10/16
<small>CONFIDENTIAL THIS DRAWING AND ITS CONTENTS PROPERTY OF TIANJIN TUOFA ELECTRIC POWER TECHNOLOGY CO.,LTD. NO PUBLICATION, DISTRIBUTION OR COPIES MAY BE MADE WITHOUT THE WRITTEN CONSENT OF TIANJIN TUOFA ELECTRIC POWER TECHNOLOGY CO.,LTD. TIANJIN TUOFA ELECTRIC POWER TECHNOLOGY CO.,LTD UNPUBLISHED ALL RIGHTS RESERVED UNDER THE COPYRIGHT LAWS.</small>	

CABLE SPACER



TTF POWER TECHNOLOGY CO.