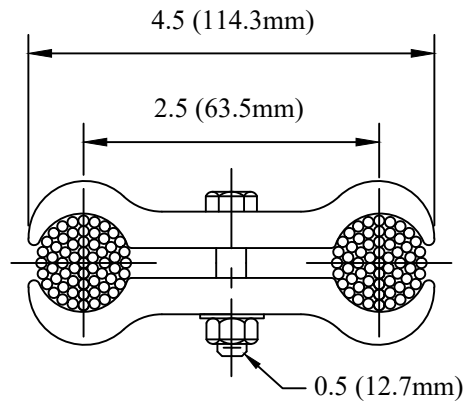
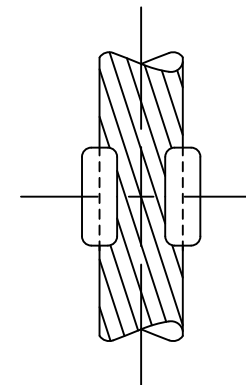
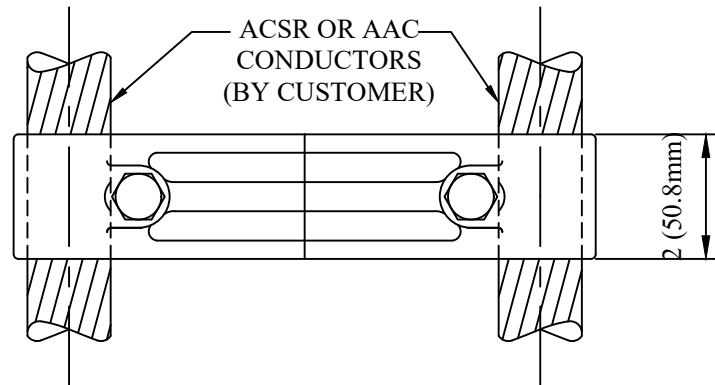


CATALOG NUMBER : 05F8D9T



NOTES:

1.MATERIAL:

- CASTINGS: 255 ELECTRICAL BRONZE ALLOY
- BOLTS: SILICON BRONZE ALLOY
- NUTS: SILICON BRONZE ALLOY
- LOCKWASHERS: SILICON BRONZE ALLOY

COPPER CONDUCTOR	DECIMAL RANGE
750 - 1000 MCM	.998 - 1.152

DRN BY:	DATA
Ella	07/09/16

CONFIDENTIAL THIS DRAWING AND ITS CONTENTS PROPERTY OF TIANJIN TUOFA ELECTRIC POWER TECHNOLOGY CO.,LTD. NO PUBLICATION, DISTRIBUTION OR COPIES MAY BE MADE WITHOUT THE WRITTEN CONSENT OF TIANJIN TUOFA ELECTRIC POWER TECHNOLOGY CO.,LTD. TIANJIN TUOFA ELECTRIC POWER TECHNOLOGY CO.,LTD UNPUBLISHED ALL RIGHTS RESERVED UNDER THE COPYRIGHT LAWS.

BRONZE CABLE SPACER,
RANGE 0.998 - 1.152 INCHES



TTF POWER TECHNOLOGY CO.