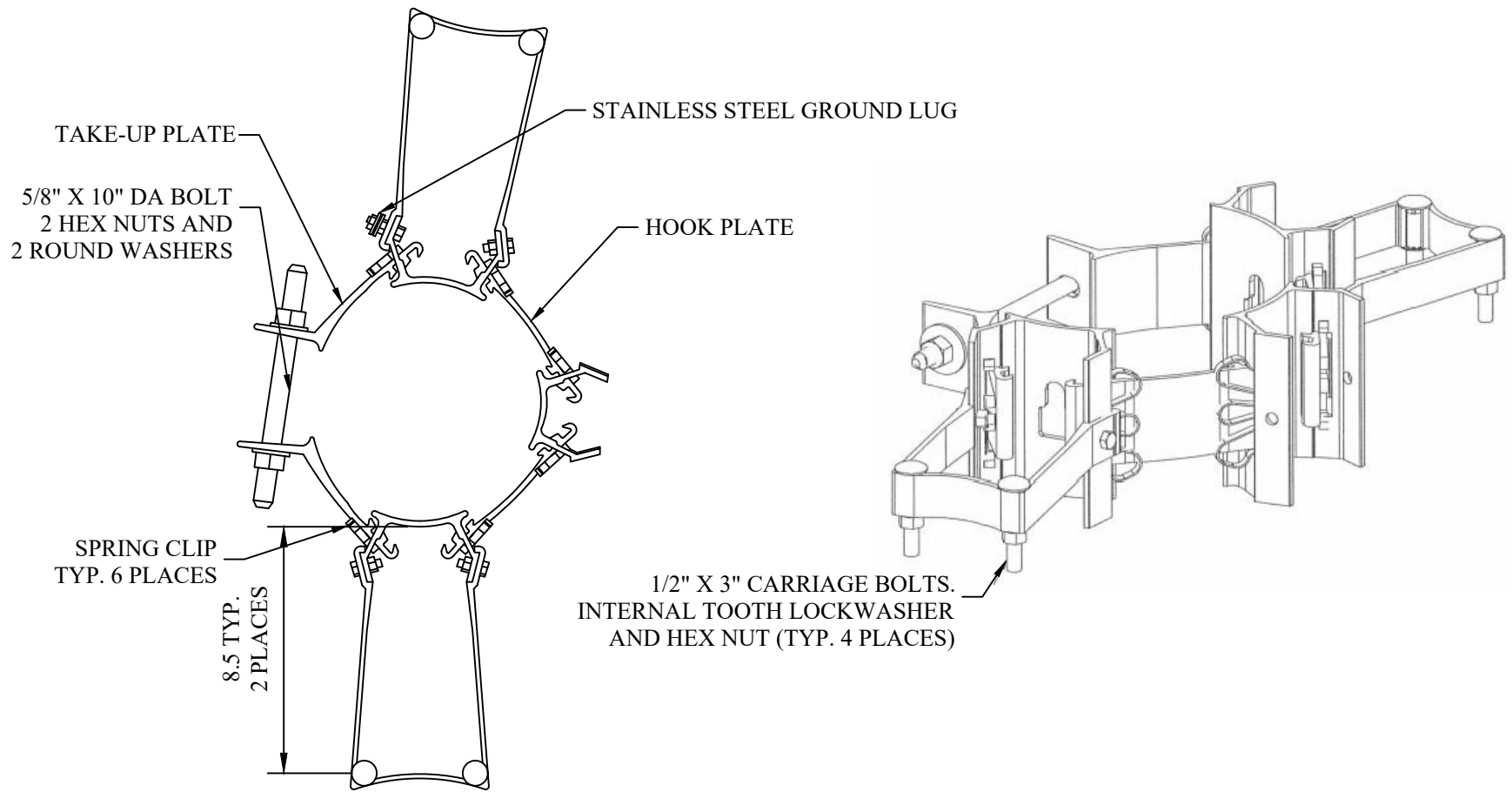



CATALOG NUMBER : 04D8L1X



NOTES:  
1. ALL BRACKET MATERIAL IS ALUMINUM. BOLTS,  
NUTS AND WASHERS ARE GALVANIZED STEEL.

DRN BY:	DATA
Ella	07/09/16
<small>CONFIDENTIAL THIS DRAWING AND ITS CONTENTS PROPERTY OF TIANJIN TUOFA ELECTRIC POWER TECHNOLOGY CO.,LTD. NO PUBLICATION, DISTRIBUTION OR COPIES MAY BE MADE WITHOUT THE WRITTEN CONSENT OF TIANJIN TUOFA ELECTRIC POWER TECHNOLOGY CO.,LTD. TIANJIN TUOFA ELECTRIC POWER TECHNOLOGY CO.,LTD UNPUBLISHED ALL RIGHTS RESERVED UNDER THE COPYRIGHT LAWS.</small>	

**BANDED POLE  
BRACKET**



**TTF POWER TECHNOLOGY CO.**