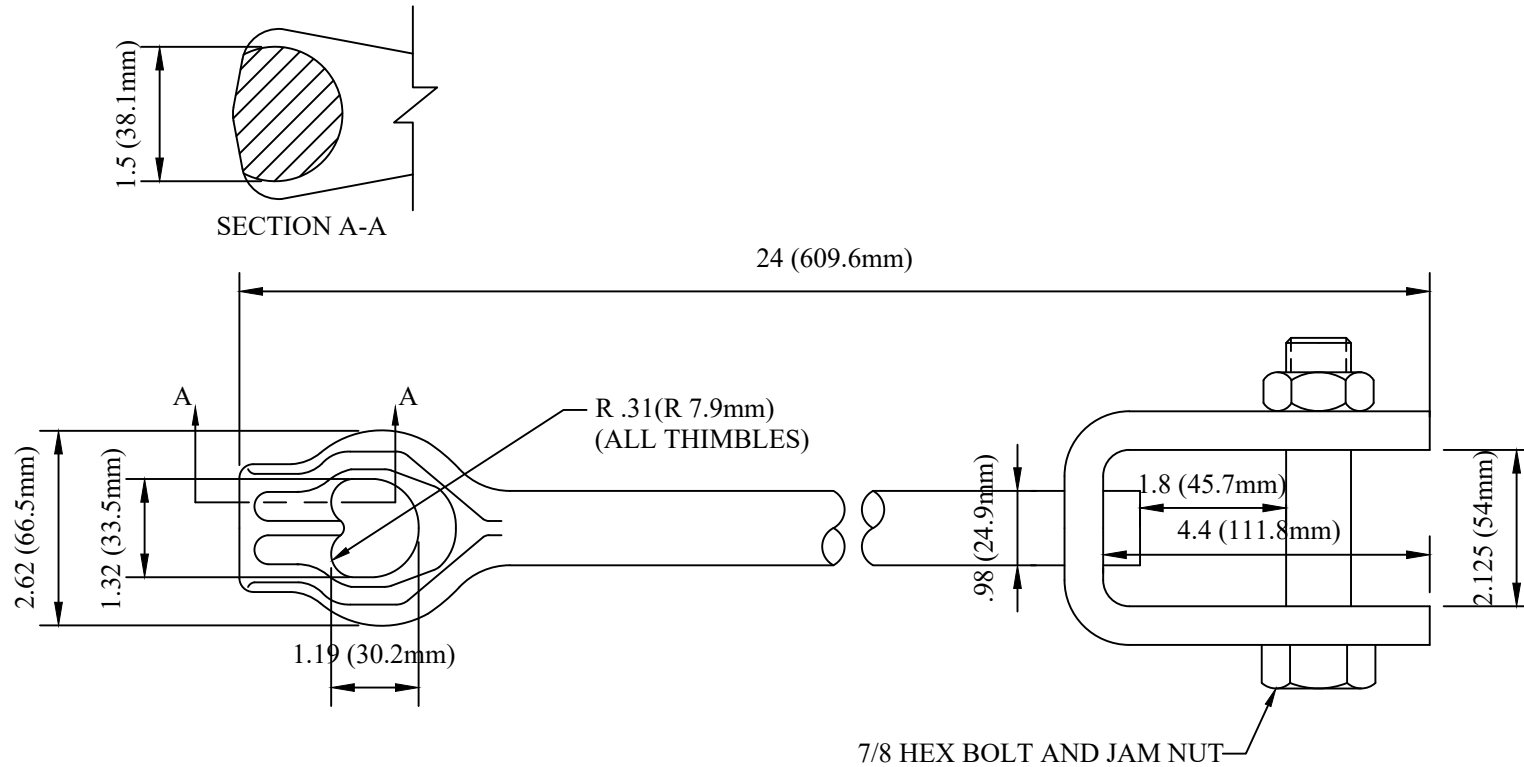


CATALOG NUMBER : 03B7U9P



NOTES:

1. ULTIMATE TENSION CAPACITY RATING: 36,000 LB. FAILURE TO ALIGN ROD WITHIN 5 DEGREES OF GUY LOAD MAY SIGNIFICANTLY REDUCE CAPACITY.
2. FINISH: HOT-DIP GALVANIZED PER ASTM A153(LAST REVISION).

DRN BY:	DATA
Ella	07/09/16
<small>CONFIDENTIAL THIS DRAWING AND ITS CONTENTS PROPERTY OF TIANJIN TUOFA ELECTRIC POWER TECHNOLOGY CO.,LTD. NO PUBLICATION, DISTRIBUTION OR COPIES MAY BE MADE WITHOUT THE WRITTEN CONSENT OF TIANJIN TUOFA ELECTRIC POWER TECHNOLOGY CO.,LTD. TIANJIN TUOFA ELECTRIC POWER TECHNOLOGY CO.,LTD UNPUBLISHED ALL RIGHTS RESERVED UNDER THE COPYRIGHT LAWS.</small>	

ANCHOR ROD WITH TWINEYE, TENSILE STRENGTH: 36000 LB



TTF POWER TECHNOLOGY CO.