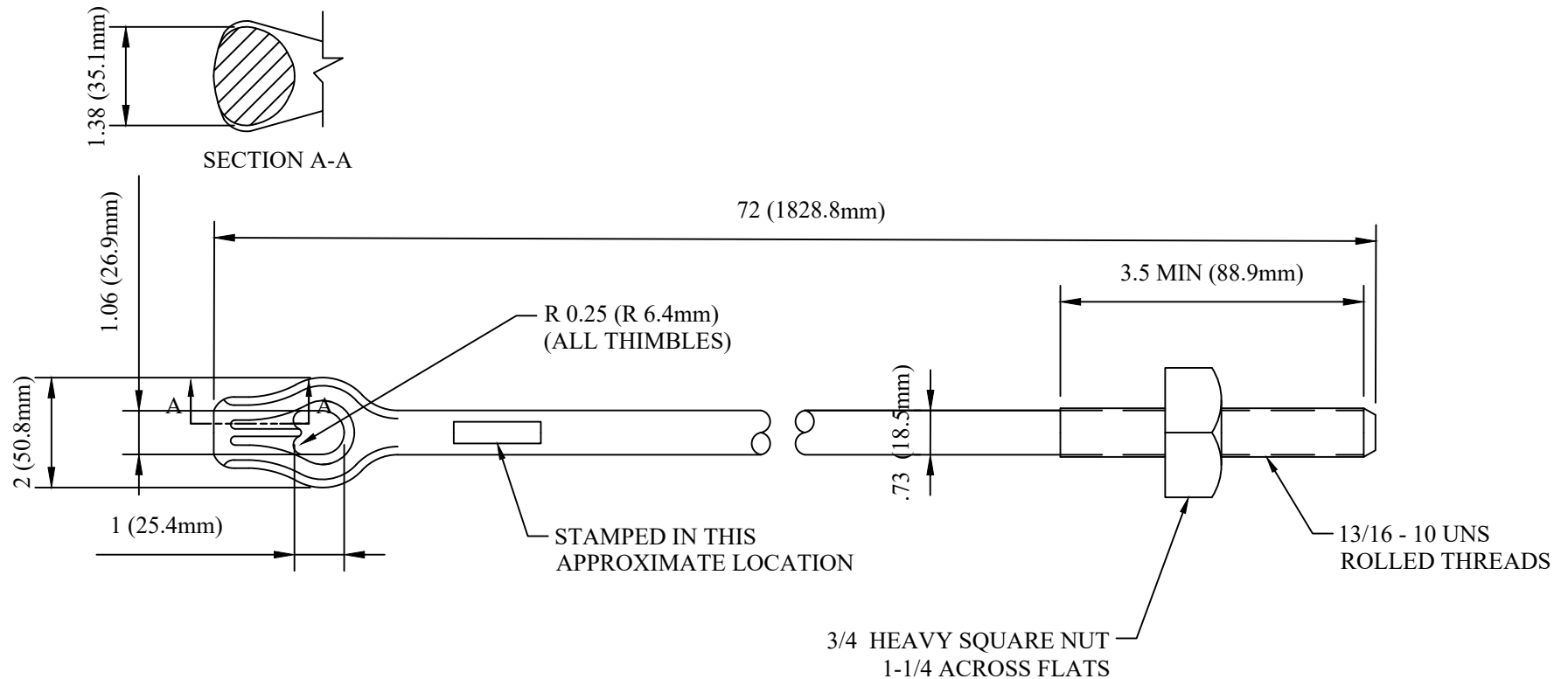


CATALOG NUMBER : 06O8I0X



NOTES:

1. ULTIMATE TENSION CAPACITY RATING :10,000LB. FAILURE TO ALIGN ROD WITHIN 5 DEGREES OF GUY LOAD MAY SIGNIFICANTLY REDUCE CAPACITY.
2. ROD MATERIAL :LOW CARBON STEEL.
3. FINISH :HOT DIP GALVANIZE PER ASTM A153(LATEST REVISION).

DRN BY:	DATA
Ella	07/09/16
<small>CONFIDENTIAL THIS DRAWING AND ITS CONTENTS PROPERTY OF TIANJIN TUOFA ELECTRIC POWER TECHNOLOGY CO.,LTD. NO PUBLICATION, DISTRIBUTION OR COPIES MAY BE MADE WITHOUT THE WRITTEN CONSENT OF TIANJIN TUOFA ELECTRIC POWER TECHNOLOGY CO.,LTD. TIANJIN TUOFA ELECTRIC POWER TECHNOLOGY CO.,LTD UNPUBLISHED ALL RIGHTS RESERVED UNDER THE COPYRIGHT LAWS.</small>	

THREE WIRE SECONDARY RACK,
LENGTH: 22.00 IN



TTF POWER TECHNOLOGY CO.