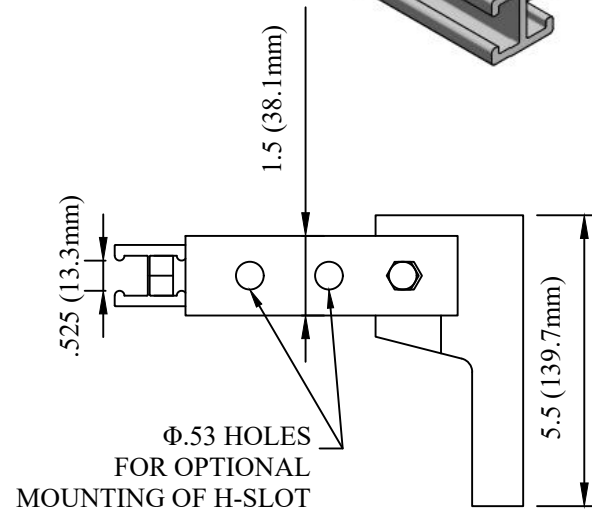
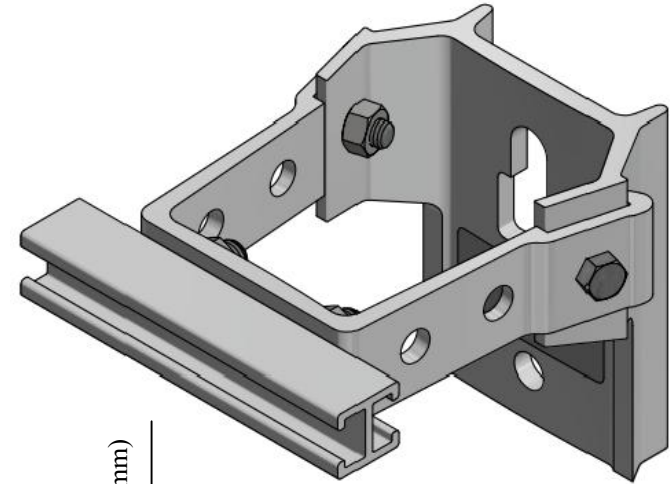
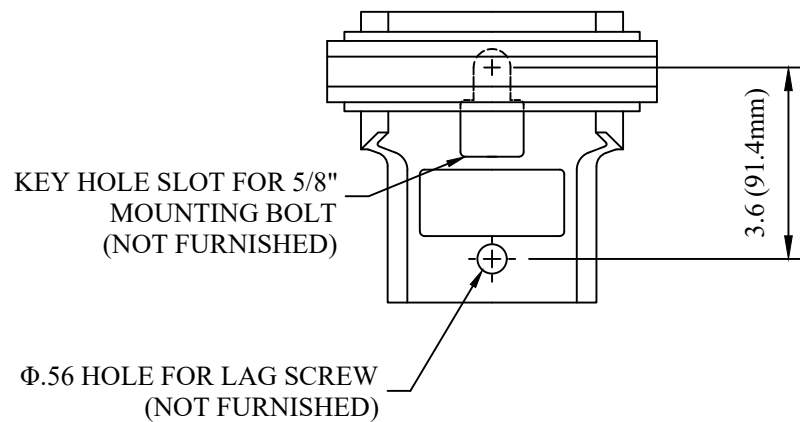
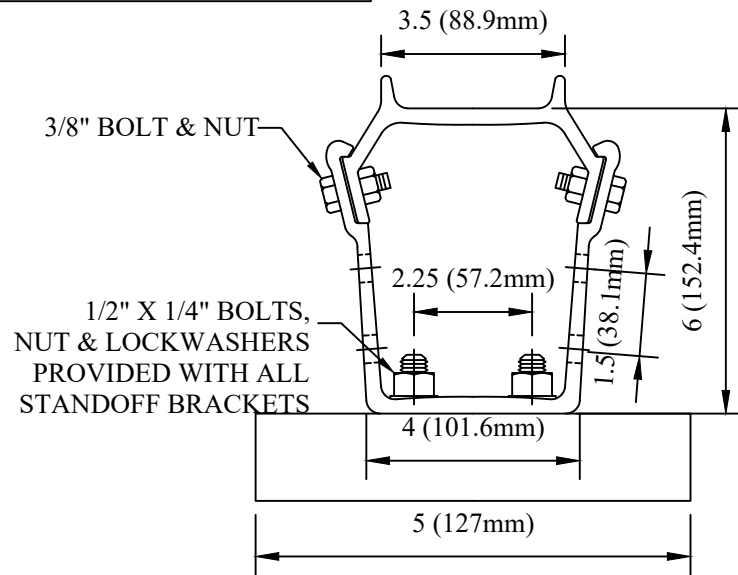


CATALOG NUMBER : 06K9W5B



NOTES:
 1. BRACKET MATERIAL: ALUMINUM.
 HARDWARE MATERIAL: GALVANIZED STEEL.

DRN BY:	DATA
Ella	07/09/16
<small>CONFIDENTIAL THIS DRAWING AND ITS CONTENTS PROPERTY OF TIANJIN TUOFA ELECTRIC POWER TECHNOLOGY CO.,LTD. NO PUBLICATION, DISTRIBUTION OR COPIES MAY BE MADE WITHOUT THE WRITTEN CONSENT OF TIANJIN TUOFA ELECTRIC POWER TECHNOLOGY CO.,LTD. TIANJIN TUOFA ELECTRIC POWER TECHNOLOGY CO.,LTD UNPUBLISHED ALL RIGHTS RESERVED UNDER THE COPYRIGHT LAWS.</small>	

ALUMINUM CONDUIT BRACKET WITH 6 IN OFFSET FROM POLE, 2.97 LB



TTF POWER TECHNOLOGY CO.