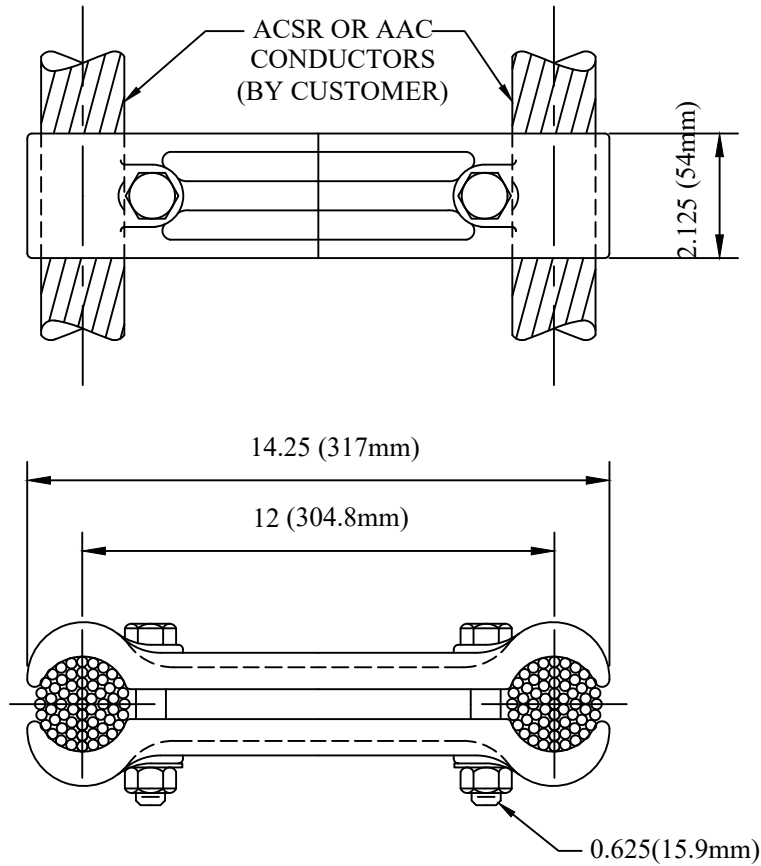


CATALOG NUMBER : 05F4I2U



NOTES:

- 1.MATERIAL: 356-T6 ALUMINUM ALLOY
- 2.FOR SUBSTATION USE ONLY, DO NOT USE FOR OVERHEAD TRANSMISSION LINES

CONDUCTOR RANGE(MCM)		DECIMAL RANGE
AAC	ACSR	
2000-2500	2156-2167	1.632-1.824

DRN BY:	DATA
Ella	07/09/16
<small>CONFIDENTIAL THIS DRAWING AND ITS CONTENTS PROPERTY OF TIANJIN TUOFA ELECTRIC POWER TECHNOLOGY CO.,LTD. NO PUBLICATION, DISTRIBUTION OR COPIES MAY BE MADE WITHOUT THE WRITTEN CONSENT OF TIANJIN TUOFA ELECTRIC POWER TECHNOLOGY CO.,LTD. TIANJIN TUOFA ELECTRIC POWER TECHNOLOGY CO.,LTD UNPUBLISHED ALL RIGHTS RESERVED UNDER THE COPYRIGHT LAWS.</small>	

ALUMINUM CABLE SPACER, 3.92 LB



TTF POWER TECHNOLOGY CO.