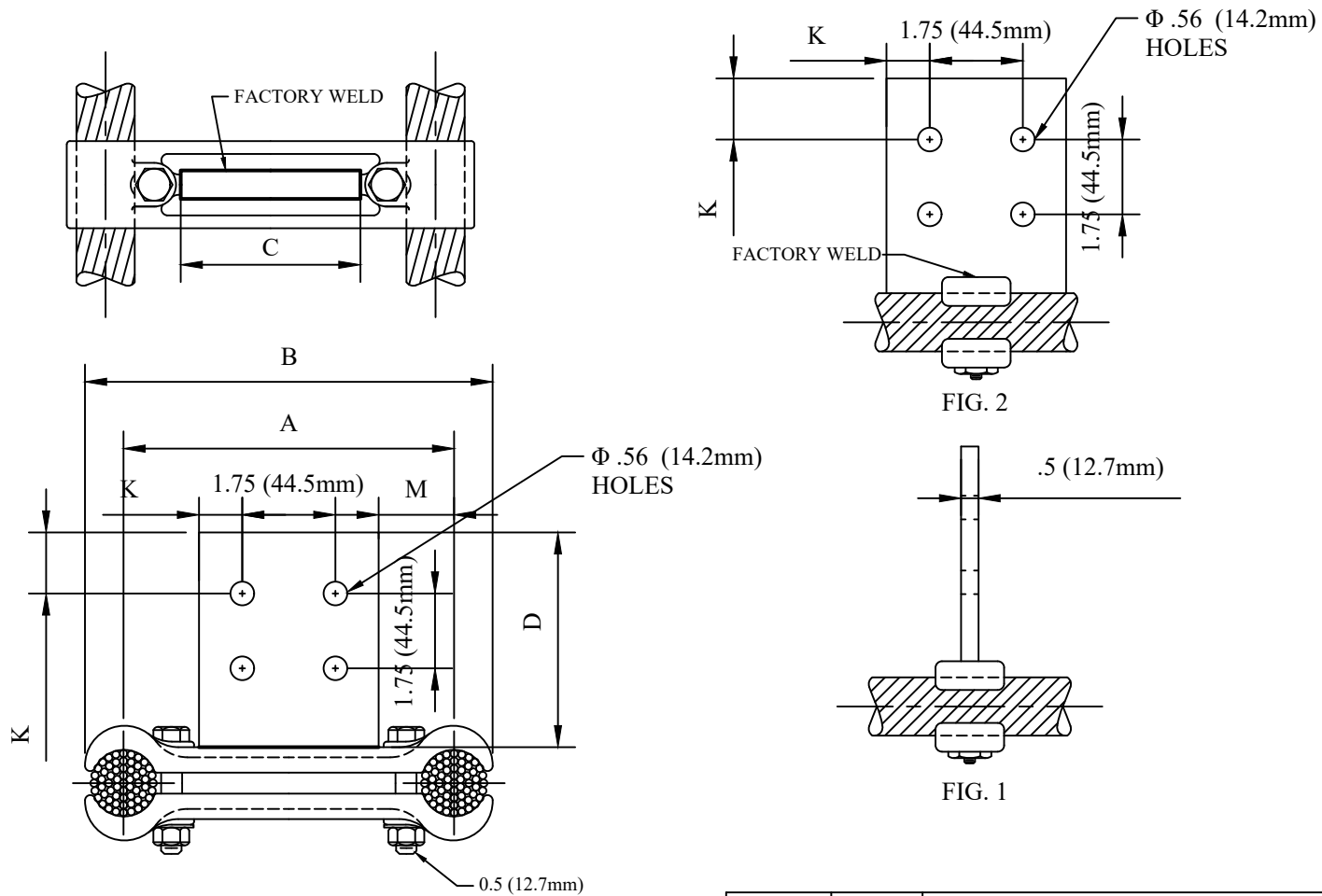


CATALOG NUMBER : 05F7U4A



NOTES:

- 1.MATERIAL: CASTINGS - 356 - T6 ALUMINUM ALLOY
PAD - 6061 - T6 ALUMINUM ALLOY
HARDWARE - ALUMINUM ALLOY
- 2.DIMENSION IN INCHES
- 3.LIMITED CURRENT CARRYING CAPACITY.
FOR USE ON LIGHTNING ARRESTER EQUIPMENT.

| | |
|---------------------------------------------------------------------------------------------------------------------------------------------------------------------------------------------------------------------------------------------------------------------------------------------------------------------------------------------------------------------|----------|
| DRN BY: | DATA |
| Ella | 10/10/16 |
| <small>CONFIDENTIAL THIS DRAWING AND ITS CONTENTS PROPERTY OF TIANJIN TUOFA ELECTRIC POWER TECHNOLOGY CO.,LTD. NO PUBLICATION, DISTRIBUTION OR COPIES MAY BE MADE WITHOUT THE WRITTEN CONSENT OF TIANJIN TUOFA ELECTRIC POWER TECHNOLOGY CO.,LTD. TIANJIN TUOFA ELECTRIC POWER TECHNOLOGY CO.,LTD UNPUBLISHED ALL RIGHTS RESERVED UNDER THE COPYRIGHT LAWS.</small> | |

ALUMINUM CABLE SPACER



TTF POWER TECHNOLOGY CO.

CATALOG NUMBER : 05F7U4A

| CATALOG NUMBER | CONDUCTOR RANGE (MCM) | | DECIMAL RANGE | FIG. NO. | A | B | C | D | J | K | M |
|----------------|-----------------------|------------|---------------|----------|--------|--------|-------|-------|-------|-------|-------|
| | AAC | ACSR | | | | | | | | | |
| 05F7U4A_1 | 350-600 | 336.4-477 | 0.681-0.893 | 1 | 8.000 | 9.250 | 4.000 | 4.500 | 0.500 | 1.125 | 2.000 |
| 05F7U4A_2 | 350-600 | 336.4-477 | 0.681-0.893 | 1 | 12.000 | 13.250 | 4.000 | 4.500 | 0.500 | 1.125 | 4.000 |
| 05F7U4A_3 | 350-600 | 336.4-477 | 0.681-0.893 | 2 | 8.000 | 9.250 | 4.000 | 4.500 | 0.500 | 1.125 | - |
| 05F7U4A_4 | 350-600 | 336.4-477 | 0.681-0.893 | 2 | 12.000 | 13.250 | 4.000 | 4.500 | 0.500 | 1.125 | - |
| 05F7U4A_5 | 600-900 | 556.5-795 | 0.870-1.108 | 1 | 8.000 | 9.500 | 3.000 | 3.500 | 0.500 | 0.625 | 2.500 |
| 05F7U4A_6 | 600-900 | 556.5-795 | 0.870-1.108 | 1 | 8.000 | 9.500 | 4.000 | 4.500 | 0.500 | 1.125 | 2.000 |
| 05F7U4A_7 | 600-900 | 556.5-795 | 0.870-1.108 | 1 | 12.000 | 13.500 | 4.000 | 4.500 | 0.500 | 1.125 | 4.000 |
| 05F7U4A_8 | 600-900 | 556.5-795 | 0.870-1.108 | 2 | 8.000 | 9.500 | 4.000 | 4.500 | 0.500 | 1.125 | - |
| 05F7U4A_9 | 900-1250 | 715.5-1113 | 1.108-1.293 | 1 | 8.000 | 9.750 | 4.000 | 4.500 | 0.500 | 1.125 | 2.000 |
| 05F7U4A_10 | 900-1250 | 715.5-1113 | 1.108-1.293 | 1 | 12.000 | 13.750 | 4.000 | 4.500 | 0.500 | 1.125 | 4.000 |
| 05F7U4A_11 | 900-1250 | 715.5-1113 | 1.108-1.293 | 2 | 6.000 | 7.750 | 4.000 | 4.500 | 0.500 | 1.125 | - |
| 05F7U4A_12 | 900-1250 | 715.5-1113 | 1.108-1.293 | 2 | 8.000 | 9.750 | 4.000 | 4.500 | 0.500 | 1.125 | - |
| 05F7U4A_13 | 900-1250 | 715.5-1113 | 1.108-1.293 | 2 | 12.000 | 13.750 | 4.000 | 4.500 | 0.500 | 1.125 | - |
| 05F7U4A_14 | 1250-1600 | 1113-1272 | 1.289-1.459 | 1 | 8.000 | 9.875 | 4.000 | 4.500 | 0.500 | 1.125 | 2.000 |
| 05F7U4A_15 | 1250-1600 | 1113-1272 | 1.289-1.459 | 1 | 12.000 | 13.875 | 4.000 | 4.500 | 0.500 | 1.125 | 4.000 |
| 05F7U4A_16 | 1250-1600 | 1113-1272 | 1.289-1.459 | 2 | 8.000 | 9.875 | 4.000 | 5.000 | 0.500 | 1.125 | - |
| 05F7U4A_17 | 1500-2000 | 1272-1590 | 1.382-1.632 | 1 | 8.000 | 10.063 | 3.000 | 3.500 | 0.625 | 0.625 | 2.500 |
| 05F7U4A_18 | 1500-2000 | 1272-1590 | 1.382-1.632 | 1 | 12.000 | 14.063 | 4.000 | 4.500 | 0.625 | 1.125 | 4.000 |
| 05F7U4A_19 | 1500-2000 | 1272-1590 | 1.382-1.632 | 2 | 8.000 | 10.063 | 3.000 | 3.625 | 0.625 | 0.625 | - |
| 05F7U4A_20 | 1500-2000 | 1272-1590 | 1.382-1.632 | 2 | 5.000 | 7.063 | 4.000 | 4.500 | 0.625 | 1.125 | - |
| 05F7U4A_21 | 1500-2000 | 1272-1590 | 1.382-1.632 | 2 | 8.000 | 10.063 | 4.000 | 4.500 | 0.625 | 1.125 | - |
| 05F7U4A_22 | 1500-2000 | 1272-1590 | 1.382-1.632 | 2 | 12.000 | 14.063 | 4.000 | 4.500 | 0.625 | 1.125 | - |
| 05F7U4A_23 | 2000-2500 | 2156-2167 | 1.632-1.824 | 1 | 8.000 | 10.250 | 4.000 | 5.000 | 0.625 | 1.125 | 2.000 |
| 05F7U4A_24 | 2000-2500 | 2156-2167 | 1.632-1.824 | 1 | 12.000 | 14.250 | 4.000 | 4.500 | 0.625 | 1.125 | 4.000 |
| 05F7U4A_25 | 2000-2500 | 2156-2167 | 1.632-1.824 | 2 | 18.000 | 20.250 | 4.000 | 4.500 | 0.625 | 1.125 | 7.000 |

| | |
|---------------------------------------------------------------------------------------------------------------------------------------------------------------------------------------------------------------------------------------------------------------------------------------------------------------------------------------------------------------------|----------|
| DRN BY: | DATA |
| Ella | 10/10/16 |
| <small>CONFIDENTIAL THIS DRAWING AND ITS CONTENTS PROPERTY OF TIANJIN TUOFA ELECTRIC POWER TECHNOLOGY CO.,LTD. NO PUBLICATION, DISTRIBUTION OR COPIES MAY BE MADE WITHOUT THE WRITTEN CONSENT OF TIANJIN TUOFA ELECTRIC POWER TECHNOLOGY CO.,LTD. TIANJIN TUOFA ELECTRIC POWER TECHNOLOGY CO.,LTD UNPUBLISHED ALL RIGHTS RESERVED UNDER THE COPYRIGHT LAWS.</small> | |

ALUMINUM CABLE SPACER



TTF POWER TECHNOLOGY CO.