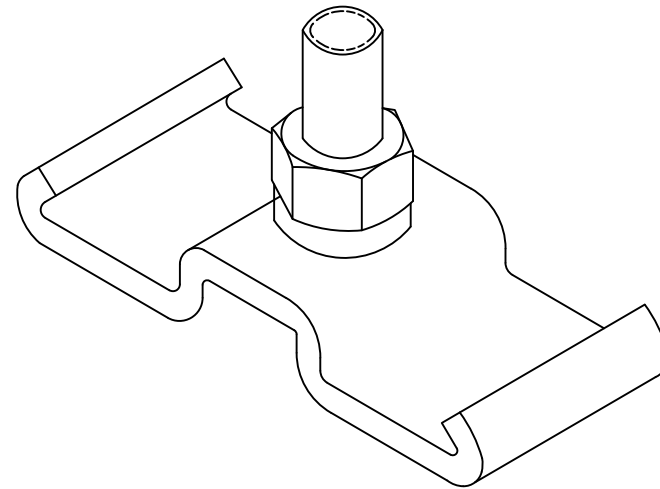
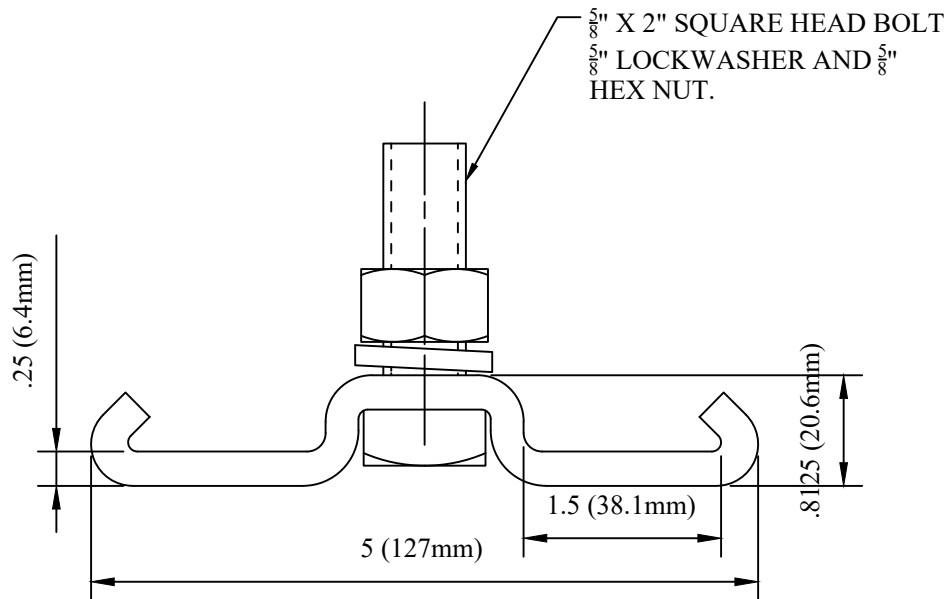


CATALOG NUMBER : 06P6B2R

NOTES:

1. BRACKET MATERIAL: ALUMINUM
HARDWARE MATERIAL: STEEL, GALVANIZED PER ASTM A153.
2. ASSEMBLED COMPONENT AS SHOWN.



DRN BY:	DATA
Ella	07/09/16

ALUMINUM BRACKET WITH 5/8 IN
MOUNTING STUD FOR 1/2 IN TO 1-1/4 IN
WIDTH

CONFIDENTIAL THIS DRAWING AND ITS
CONTENTS PROPERTY OF TIANJIN
TUOFA ELECTRIC POWER TECHNOLOGY
CO.,LTD. NO PUBLICATION,
DISTRIBUTION OR COPIES MAY BE
MADE WITHOUT THE WRITTEN
CONSENT OF TIANJIN TUOFA ELECTRIC
POWER TECHNOLOGY CO.,LTD.
TIANJIN TUOFA ELECTRIC POWER
TECHNOLOGY CO.,LTD UNPUBLISHED
ALL RIGHTS RESERVED UNDER THE
COPYRIGHT LAWS.



TTF POWER TECHNOLOGY CO.