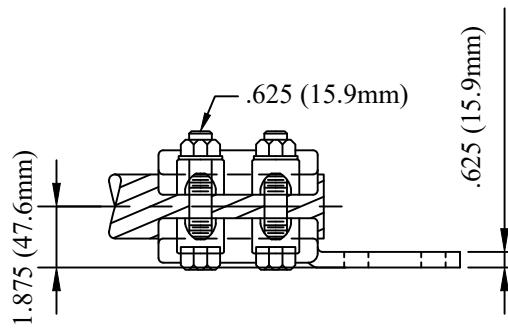
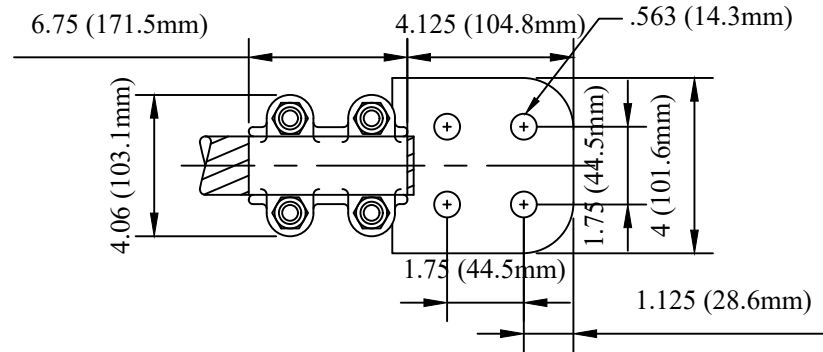
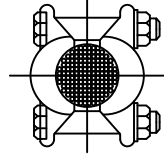


CATALOG NUMBER : 01B9U0L



NOTES:

1.MATERIAL:

CASTINGS: 356-T6 ALUMINUM ALLOY

BOLTS: 2024-T4 ALUMINUM ALLOY

LOCKWASHERS: 7075-T6 ALUMINUM ALLOY WITH 205 ALUMALITE FINISH

NUTS: 6061-T6 ALUMINUM ALLOY WAXED

DRN BY:	DATA
Ella	07/09/16
<small>CONFIDENTIAL THIS DRAWING AND ITS CONTENTS PROPERTY OF TIANJIN TUOFA ELECTRIC POWER TECHNOLOGY CO.,LTD. NO PUBLICATION, DISTRIBUTION OR COPIES MAY BE MADE WITHOUT THE WRITTEN CONSENT OF TIANJIN TUOFA ELECTRIC POWER TECHNOLOGY CO.,LTD. TIANJIN TUOFA ELECTRIC POWER TECHNOLOGY CO.,LTD UNPUBLISHED ALL RIGHTS RESERVED UNDER THE COPYRIGHT LAWS.</small>	

ALUMINUM BOLTED TERMINAL,  
WEIGHT 4.998 LB



TTF POWER TECHNOLOGY CO.