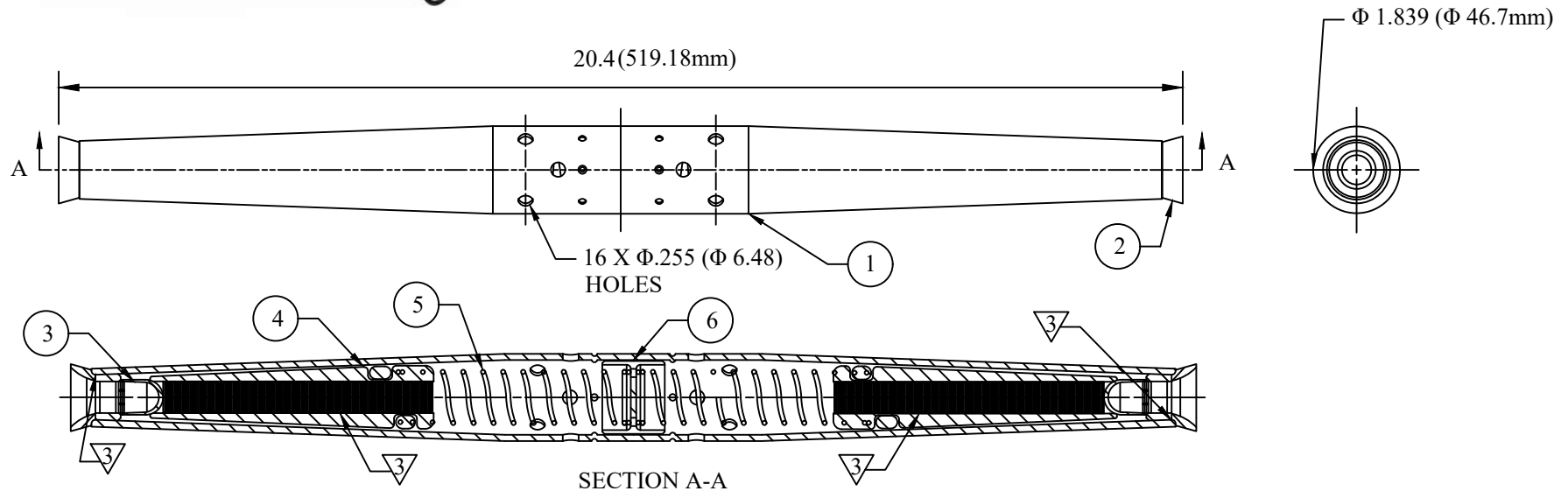


CATALOG NUMBER : 01C0Q2N



ITEM NUMBER	DESCRIPTION	QTY.
1	SWAGED WITH HOLES	1
2	NOSE GUIDE / PILOT CUP	2
3	SS PILOT CUO, ITEM #11	2
4	JAW	4
5	SS CLOSED END SPRING	2
6	CENTER STOP	1



NOTES:

- 1.CONDUCTOR APPLICATION: FOR 336.4(18/1) ACSR, 394.5 AAAC AND 397.5, 336.4 (ROUND ONLY) AAC (INCLUDING COMPACT ASTM-8400) CONDUCTORS (.654 - .724 DIAMETER).
- 2.REPRESENTATIVE SIZES HAVE BEEN SALT FOG TESTED TO ASTM B117/G85 SEC. A3, HEAT CYCLE TESTED TO ANSI C119.4 & FAULT CURRENT SEQUENCE TESTED. MECHANICAL PULL TESTED TO ANSI C119.4.
- 3.INHIBITOR APPLIED TO JAW TEETH AND INSIDE OF TUBE.

DRN BY:	DATA
Ella	07/09/16
<small>CONFIDENTIAL: THIS DRAWING AND ITS CONTENTS PROPERTY OF TIANJIN TUOFA ELECTRIC POWER TECHNOLOGY CO.,LTD. NO PUBLICATION, DISTRIBUTION OR COPIES MAY BE MADE WITHOUT THE WRITTEN CONSENT OF TIANJIN TUOFA ELECTRIC POWER TECHNOLOGY CO.,LTD. TIANJIN TUOFA ELECTRIC POWER TECHNOLOGY CO.,LTD UNPUBLISHED ALL RIGHTS RESERVED UNDER THE COPYRIGHT LAWS.</small>	

ALUMINUM ALLOY SPLICE, DIAMETER RANGE: 0.659 IN - 0.724 IN



TTF POWER TECHNOLOGY CO.