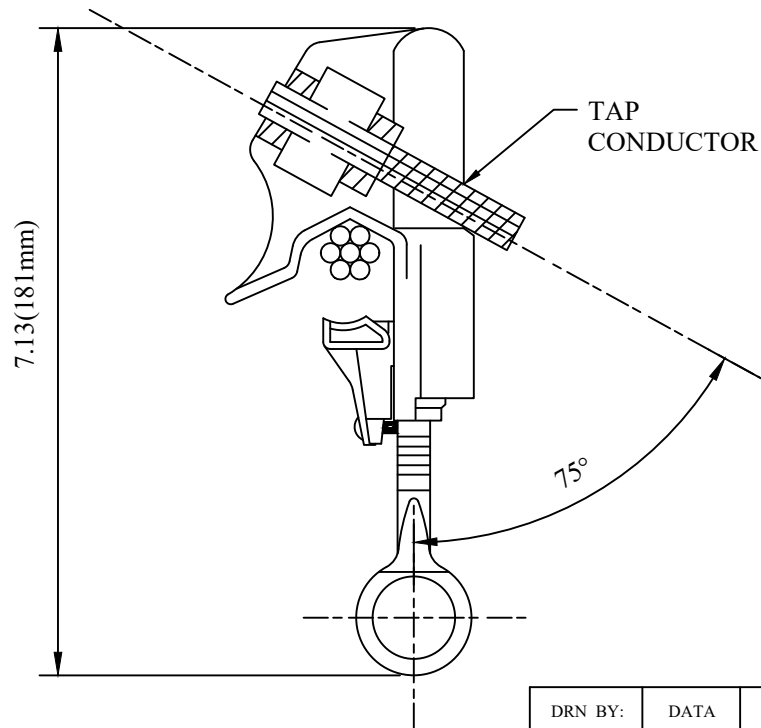
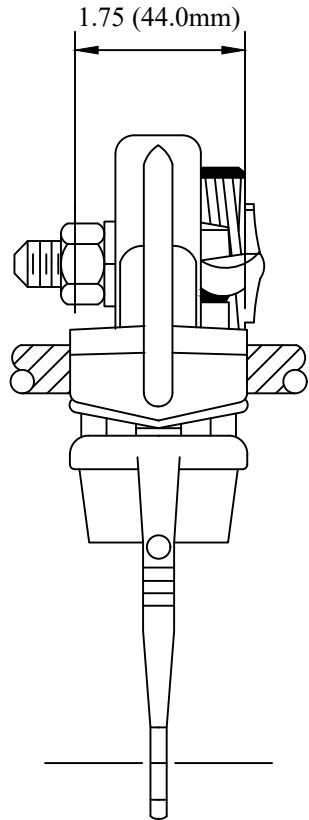


CATALOG NUMBER : 05D2D8R

PRODUCT DATA & CONDUCTOR SIZE

		CONDUCTOR RANGE (AWG OR KCMIL)				TAP NUT	APPROX. WT. EACH LBS.(KG).
MAIN LINE	TAP	MAIN		TAP			
		AAC	ACSR	AAC/CU	ACSR		
AL	AL / CU	--- 0.162 - 0.745 --- (4.12 - 18.96)		--- 0.162 - 0.547 --- (4.12 - 13.92)		$\frac{3}{4}$ (19)	0.64 (0.29)



NOTES:
 1.FOR ALUMINUM AND ACSR CONDUCTOR.
 2.DESIGNED FOR STANDARD "HOT STICK" APPLICATION.
 3.MATERIAL:
 BODY AND KEEPER - ALUMINUM ALLOY
 EYEBOLT - BRONZE ALLOY - TIN PLATED
 EYESTEM - BRONZE ALLOY, FORGED OR STAINLESS STEEL
 SPRING (ON EYESTEM) - STAINLESS STEEL

FOR FACTORY GREASED AND BAGGED CLAMPS,SEE NOTES TABLE.

DRN BY:	DATA
Ella	07/09/16
<small>CONFIDENTIAL THIS DRAWING AND ITS CONTENTS PROPERTY OF TIANJIN TUOFA ELECTRIC POWER TECHNOLOGY CO.,LTD. NO PUBLICATION, DISTRIBUTION OR COPIES MAY BE MADE WITHOUT THE WRITTEN CONSENT OF TIANJIN TUOFA ELECTRIC POWER TECHNOLOGY CO.,LTD. TIANJIN TUOFA ELECTRIC POWER TECHNOLOGY CO.,LTD UNPUBLISHED ALL RIGHTS RESERVED UNDER THE COPYRIGHT LAWS.</small>	

ALUMINUM ALLOY HOT LINE TAP CLAMP, WEIGHT: 0.843 LB

