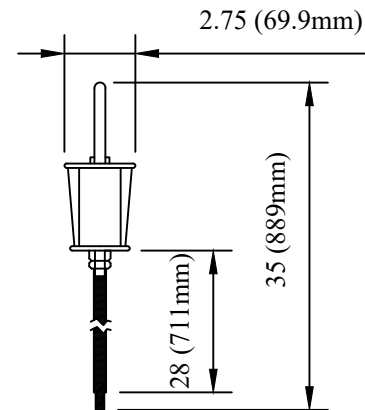
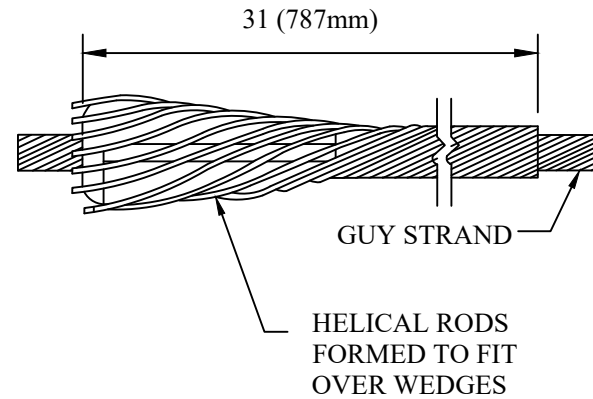
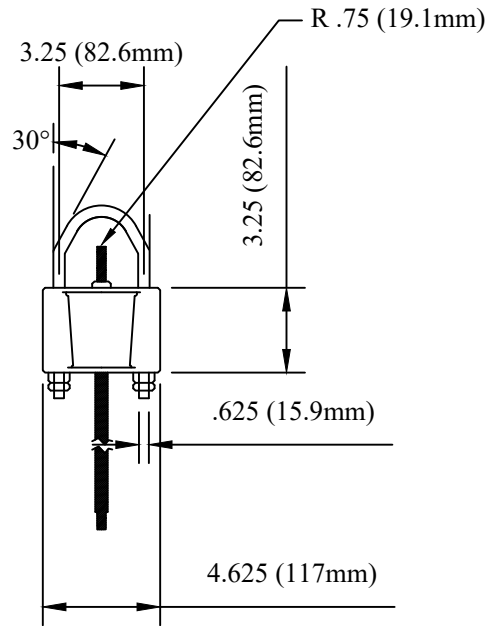
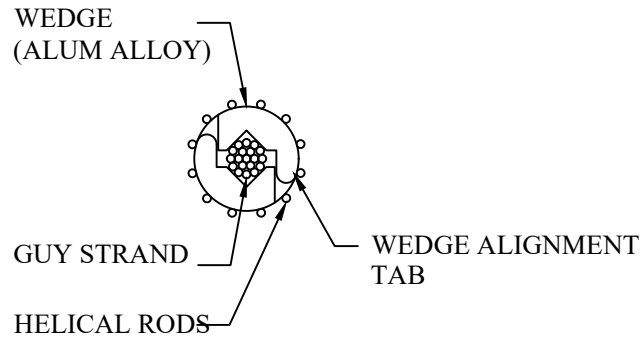


CATALOG NUMBER : 06E6K3Z



- NOTES:
- 1.SOCKET MADE OF DUCTILE IRON.
 - 2.U-BOLT MADE OF C1045 STEEL.
 - 3.SOCKET & U-BOLT HOT DIP GALVANIZE PER ASTM A153.

DRN BY:	DATA
Ella	07/09/16
<small>CONFIDENTIAL THIS DRAWING AND ITS CONTENTS PROPERTY OF TIANJIN TUOFA ELECTRIC POWER TECHNOLOGY CO.,LTD. NO PUBLICATION, DISTRIBUTION OR COPIES MAY BE MADE WITHOUT THE WRITTEN CONSENT OF TIANJIN TUOFA ELECTRIC POWER TECHNOLOGY CO.,LTD. TIANJIN TUOFA ELECTRIC POWER TECHNOLOGY CO.,LTD UNPUBLISHED ALL RIGHTS RESERVED UNDER THE COPYRIGHT LAWS.</small>	

**ADJUST-A-GRIP GUY DEADEND,
TENSILE STRENGTH 35,000 LB**



TTF POWER TECHNOLOGY CO.