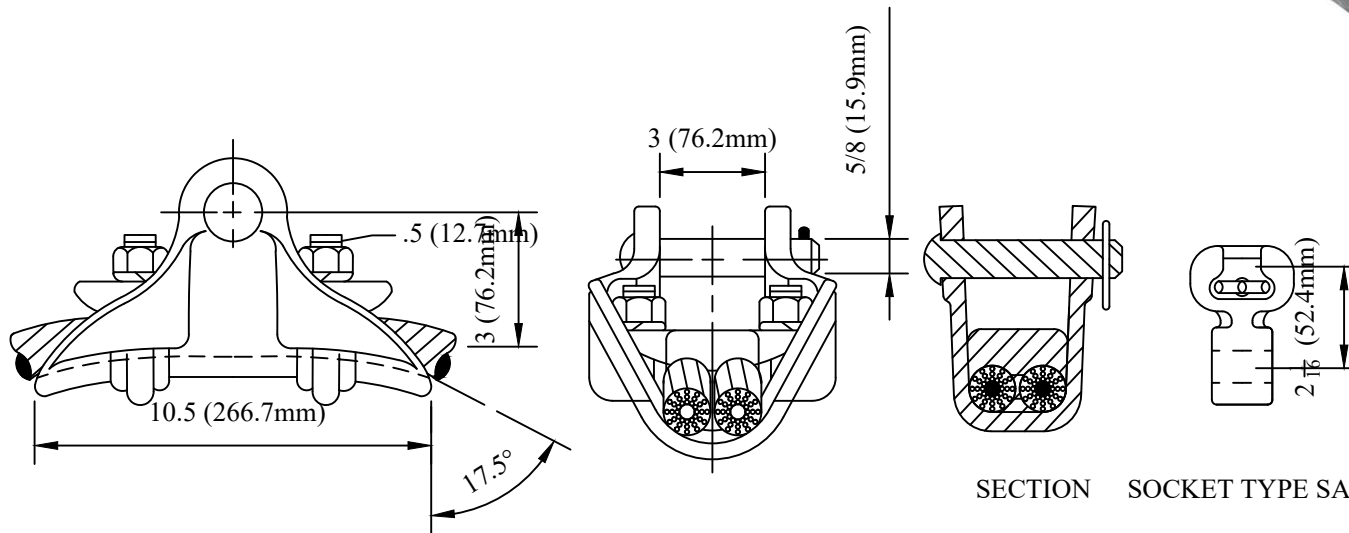
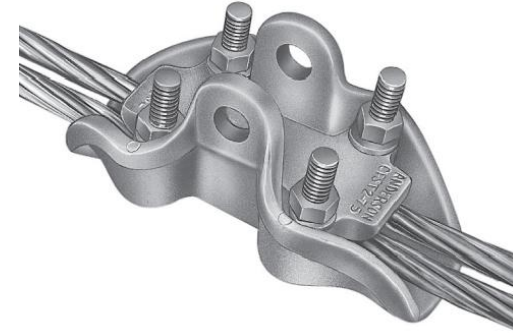


CATALOG NUMBER : 05G8G1J

NOTES:

1. MATERIAL:

- BODE AND KEEPER - ALUMINUM ALLOY
- HARDWARE - GALVANIZED STEEL
- SOCKET - GALVANIZED DUCTILE IRON
- COTTER PIN - STAINLESS STEEL
- GROMMET - NEOPRENE



PRODUCT DATA		
CLAMPING RANGE INCHES (MM)	ULTIMATE BODY STRENGTH INCHES (KN)	APPROX. WT.EACH LBS. (KG).
.88-1.3 (22.35-33.0)	25,000 (111)	7.9 (3.6)

DRN BY:	DATA
Ella	07/09/16
<small>CONFIDENTIAL THIS DRAWING AND ITS CONTENTS PROPERTY OF TIANJIN TUOFA ELECTRIC POWER TECHNOLOGY CO.,LTD. NO PUBLICATION, DISTRIBUTION OR COPIES MAY BE MADE WITHOUT THE WRITTEN CONSENT OF TIANJIN TUOFA ELECTRIC POWER TECHNOLOGY CO.,LTD. TIANJIN TUOFA ELECTRIC POWER TECHNOLOGY CO.,LTD UNPUBLISHED ALL RIGHTS RESERVED UNDER THE COPYRIGHT LAWS.</small>	

SUSPENSION CLAMP, LENGTH 10.5 IN



TTF POWER TECHNOLOGY CO.