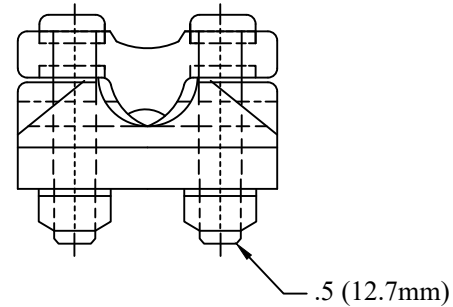
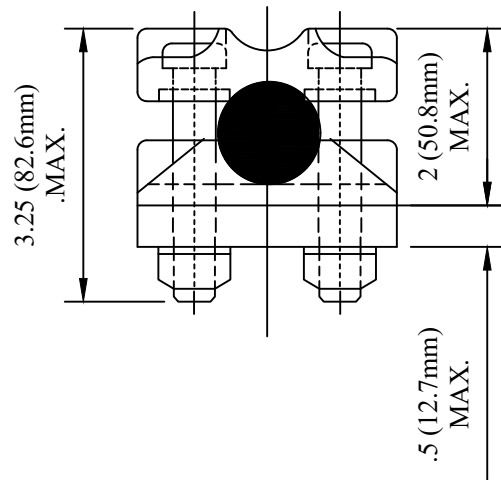
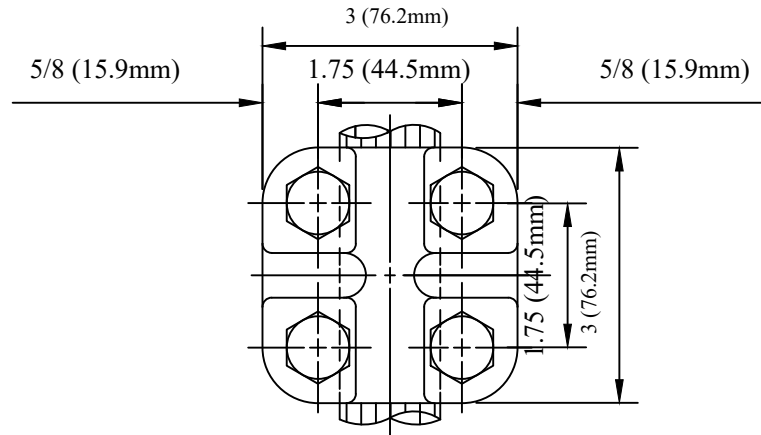


CATALOG NUMBER : 01B3H9G



NOTES:

MATERIAL:

CASTING - BRONZE ALLOY - TIN PLATED

HARDWARE - STAINLESS STEEL OR SILICON BRONZE

DRN BY:	DATA
Ella	07/09/16

STAINLESS STEEL TERMINAL, 2.646 LB

CONFIDENTIAL THIS DRAWING AND ITS CONTENTS PROPERTY OF TIANJIN TUOFA ELECTRIC POWER TECHNOLOGY CO.,LTD. NO PUBLICATION, DISTRIBUTION OR COPIES MAY BE MADE WITHOUT THE WRITTEN CONSENT OF TIANJIN TUOFA ELECTRIC POWER TECHNOLOGY CO.,LTD. TIANJIN TUOFA ELECTRIC POWER TECHNOLOGY CO.,LTD UNPUBLISHED ALL RIGHTS RESERVED UNDER THE COPYRIGHT LAWS.



TTF POWER TECHNOLOGY CO.