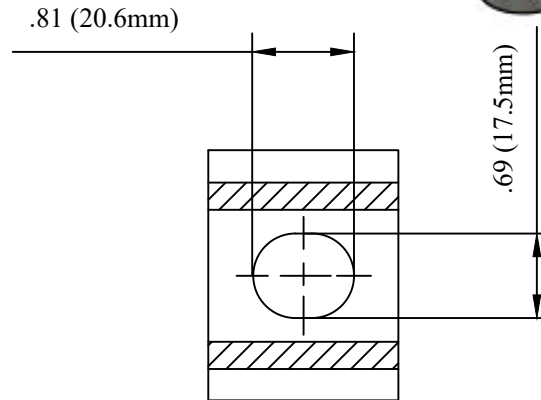
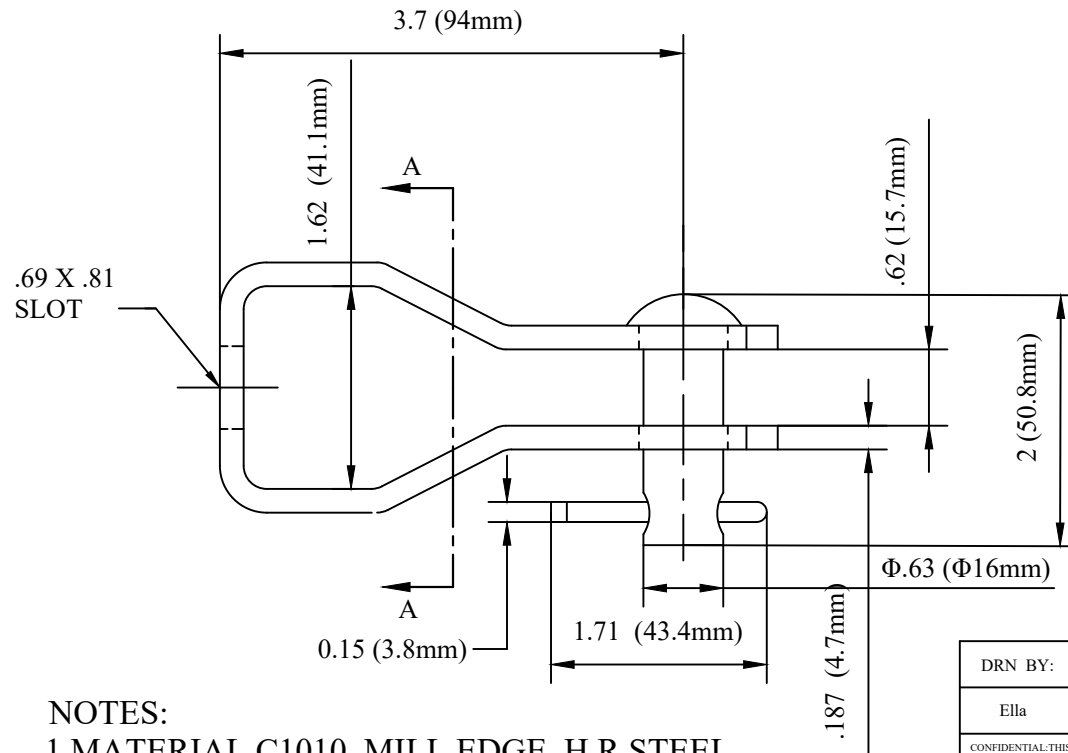
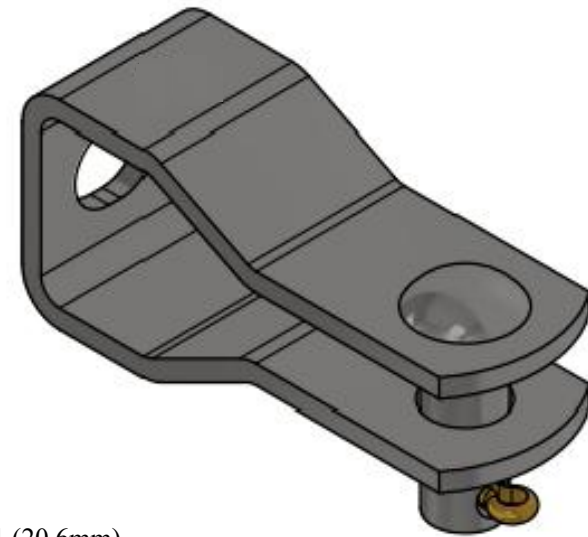
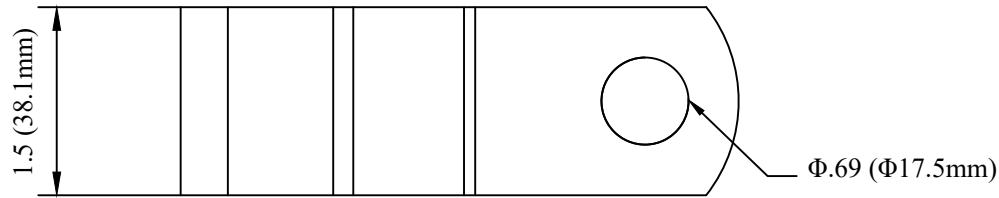


CATALOG NUMBER : 04C1D4D



NOTES:

- 1.MATERIAL C1010, MILL EDGE, H.R.STEEL.
ALTERNATE MATERIAL: LOW CARBON STEEL
- 2.HOT DIP GALVANIZED AS PER ASTM A153
(LATEST REVISION)

DRN BY:	DATA
Ella	07/08/16
<small>CONFIDENTIAL THIS DRAWING AND ITS CONTENTS PROPERTY OF TIANJIN TUOFA ELECTRIC POWER TECHNOLOGY CO.,LTD. NO PUBLICATION, DISTRIBUTION OR COPIES MAY BE MADE WITHOUT THE WRITTEN CONSENT OF TIANJIN TUOFA ELECTRIC POWER TECHNOLOGY CO.,LTD. TIANJIN TUOFA ELECTRIC POWER TECHNOLOGY CO.,LTD UNPUBLISHED ALL RIGHTS RESERVED UNDER THE COPYRIGHT LAWS.</small>	

HOT DIP GALVANIZED DEADEND CLEVIS WITH 5/8 IN COTTER BOLT AND PIN



TTF POWER TECHNOLOGY CO.