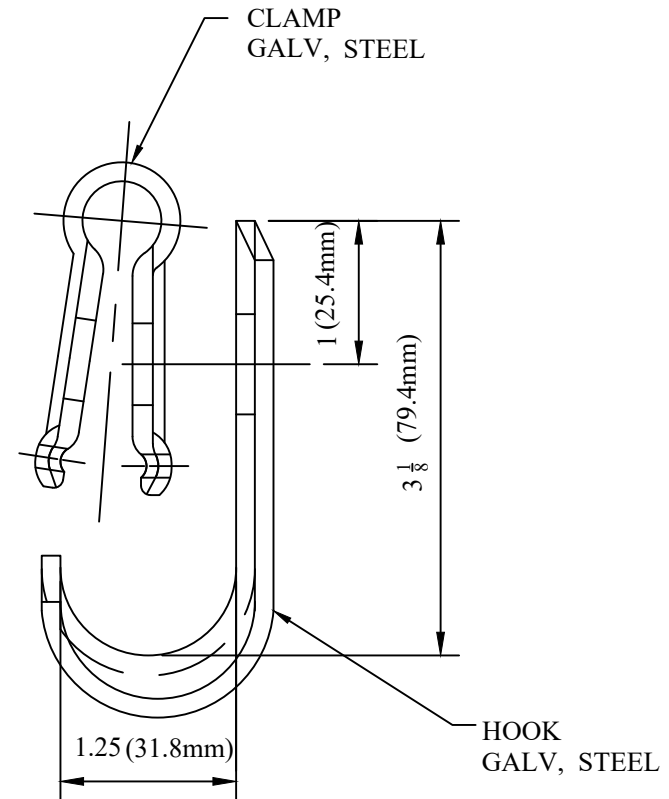
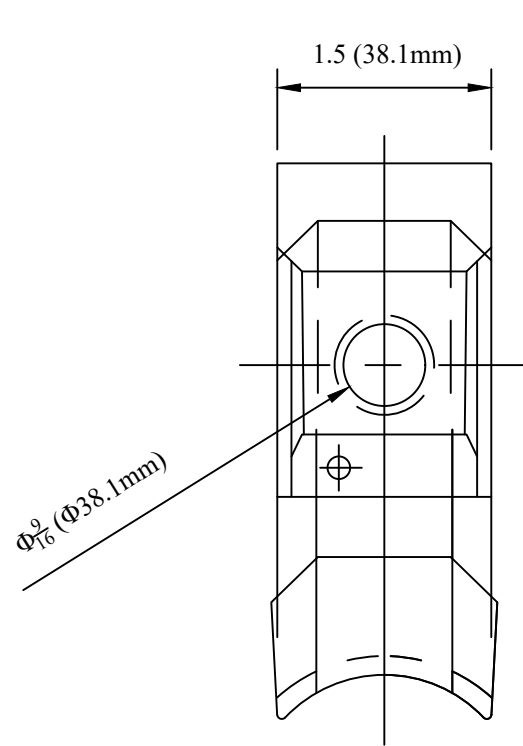


CATALOG NUMBER : 04F2E2G



NOTES:

- 1.ACCOMMODATES .109 OR .134 SOLID MESSENGER WIRE.
- 2.INSTALLED WITH A 1/2 " MACHINE BOLT AND TWO SQUARE NUTS, ONE NUT IS PLACED BETWEEN HOOK AND CLAMP FOR SPACING. THE OTHER IS USED TO TIGHTEN THE CLAMP MEMBER.

DRN BY:	DATA
Ella	07/09/16

GALVANIZED STEEL MESSAGE HANGER

CONFIDENTIAL THIS DRAWING AND ITS CONTENTS PROPERTY OF TIANJIN TUOFA ELECTRIC POWER TECHNOLOGY CO.,LTD. NO PUBLICATION, DISTRIBUTION OR COPIES MAY BE MADE WITHOUT THE WRITTEN CONSENT OF TIANJIN TUOFA ELECTRIC POWER TECHNOLOGY CO.,LTD. TIANJIN TUOFA ELECTRIC POWER TECHNOLOGY CO.,LTD UNPUBLISHED ALL RIGHTS RESERVED UNDER THE COPYRIGHT LAWS.



TTF POWER TECHNOLOGY CO.