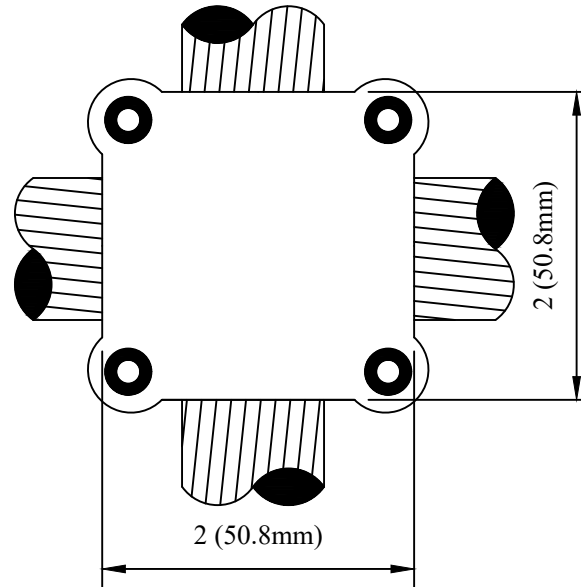
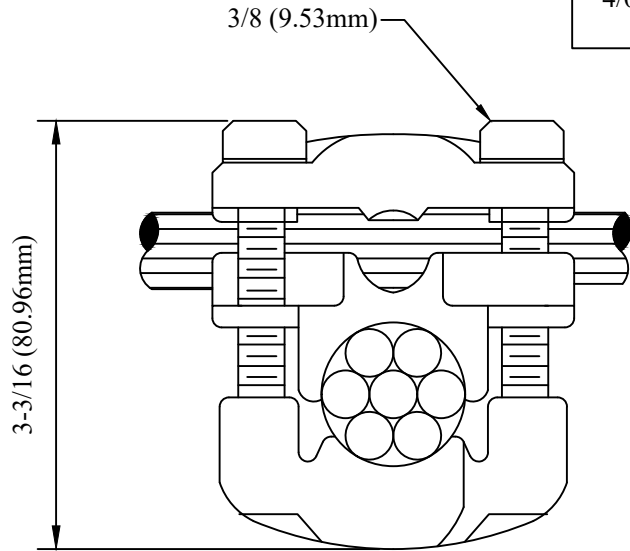


CATALOG NUMBER : 05E5Y4Y

PRODUCT DATA & CONDUCTOR SIZE

CONDUCTOR RANGE (AWG OR KCMIL)		APPROX. WT.EACH LBS. (KG).
MAIN	TAP	
4/0 STR. - 500 MCM CU	4/0 STR. - 500 MCM CU	1.40 (.68)



NOTES:

1.FOR COPPER CONDUCTOR CROSS, TEE, PARALLEL OR END TO END CONNECTIONS.

2.MATERIAL:

- BODY MEMBERS - HIGH STRENGTH BRONZE ALLOY
- SEPARATOR - COPPER ALLOY
- HARDWARE - SILICON BRONZE OR STAINLESS STEEL

DRN BY:	DATA
Ella	07/09/16
<small>CONFIDENTIAL THIS DRAWING AND ITS CONTENTS PROPERTY OF TIANJIN TUOFA ELECTRIC POWER TECHNOLOGY CO.,LTD. NO PUBLICATION, DISTRIBUTION OR COPIES MAY BE MADE WITHOUT THE WRITTEN CONSENT OF TIANJIN TUOFA ELECTRIC POWER TECHNOLOGY CO.,LTD. TIANJIN TUOFA ELECTRIC POWER TECHNOLOGY CO.,LTD UNPUBLISHED ALL RIGHTS RESERVED UNDER THE COPYRIGHT LAWS.</small>	

FOUR BOLT PARALLEL GROOVE CONNECTOR, RANGE 0.46 IN - 0.813 IN



TTF POWER TECHNOLOGY CO.