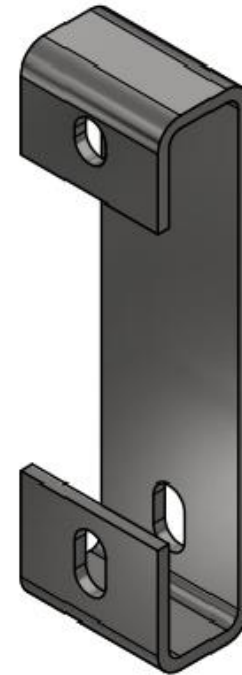
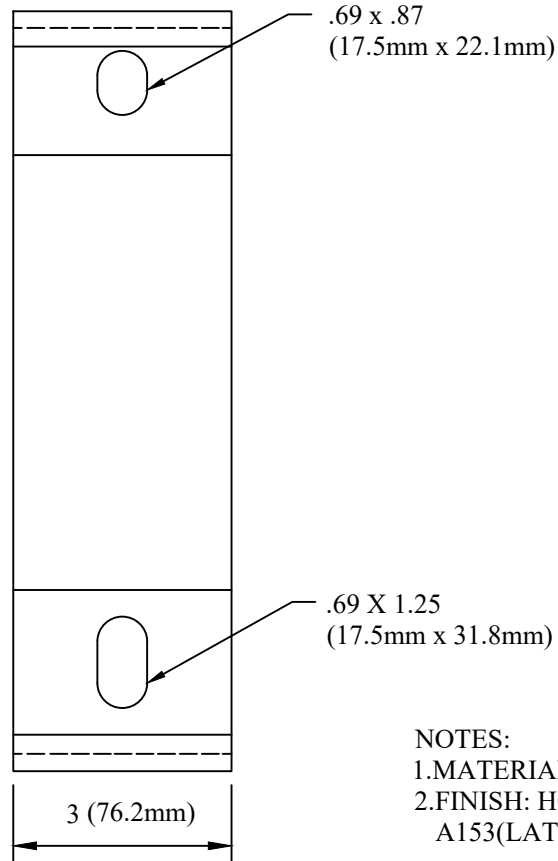
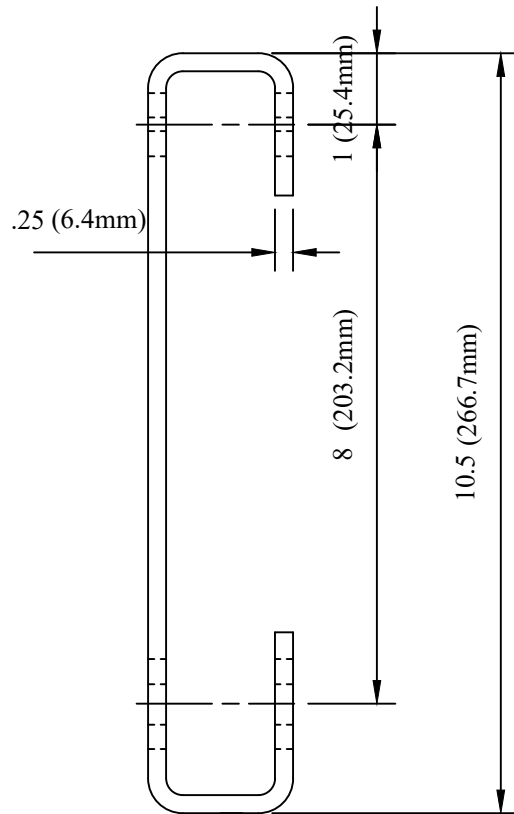


CATALOG NUMBER : 06B4O3S



- NOTES:  
 1.MATERIAL: AISI 1020 STEEL.  
 2.FINISH: HOT DIP GALVANIZE PER ASTM A153(LATEST REV.)

DRN BY:	DATA
Ella	07/09/16
<small>CONFIDENTIAL THIS DRAWING AND ITS CONTENTS PROPERTY OF TIANJIN TUOFA ELECTRIC POWER TECHNOLOGY CO.,LTD. NO PUBLICATION, DISTRIBUTION OR COPIES MAY BE MADE WITHOUT THE WRITTEN CONSENT OF TIANJIN TUOFA ELECTRIC POWER TECHNOLOGY CO.,LTD. TIANJIN TUOFA ELECTRIC POWER TECHNOLOGY CO.,LTD UNPUBLISHED ALL RIGHTS RESERVED UNDER THE COPYRIGHT LAWS.</small>	

EXTENSION FOR POLE APPLICATION,  
 WEIGHT 3.51 LB



TTF POWER TECHNOLOGY CO.