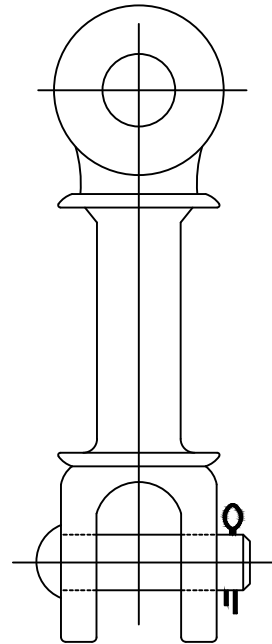
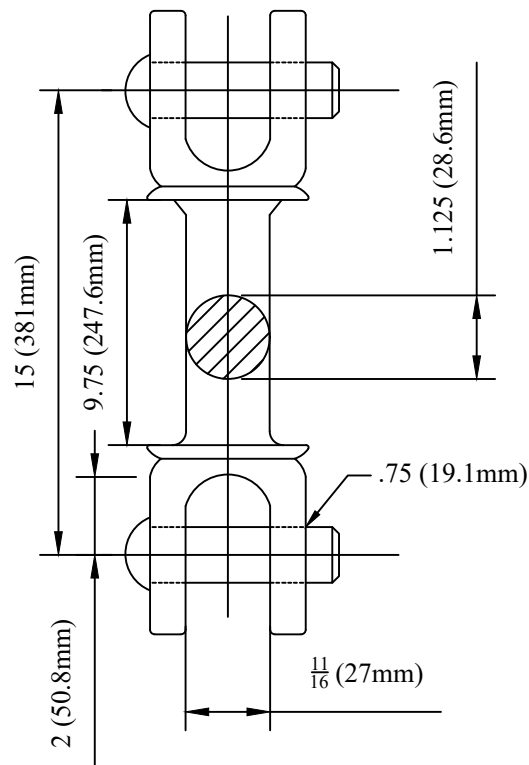


CATALOG NUMBER : 05I3M2S



NOTES:

1.MATERIAL:

- BODY - GALVANIZED DUCTILE IRON
- CLEVIS PIN - GALVANIZED STEEL
- COTTER PIN - STAINLESS STEEL

DRN BY:	DATA
Ella	07/09/16

DUCTILE IRON HOT LINE LINK, 4.410 LB

CONFIDENTIAL THIS DRAWING AND ITS CONTENTS PROPERTY OF TIANJIN TUOFA ELECTRIC POWER TECHNOLOGY CO.,LTD. NO PUBLICATION, DISTRIBUTION OR COPIES MAY BE MADE WITHOUT THE WRITTEN CONSENT OF TIANJIN TUOFA ELECTRIC POWER TECHNOLOGY CO.,LTD. TIANJIN TUOFA ELECTRIC POWER TECHNOLOGY CO.,LTD UNPUBLISHED ALL RIGHTS RESERVED UNDER THE COPYRIGHT LAWS.



TTF POWER TECHNOLOGY CO.