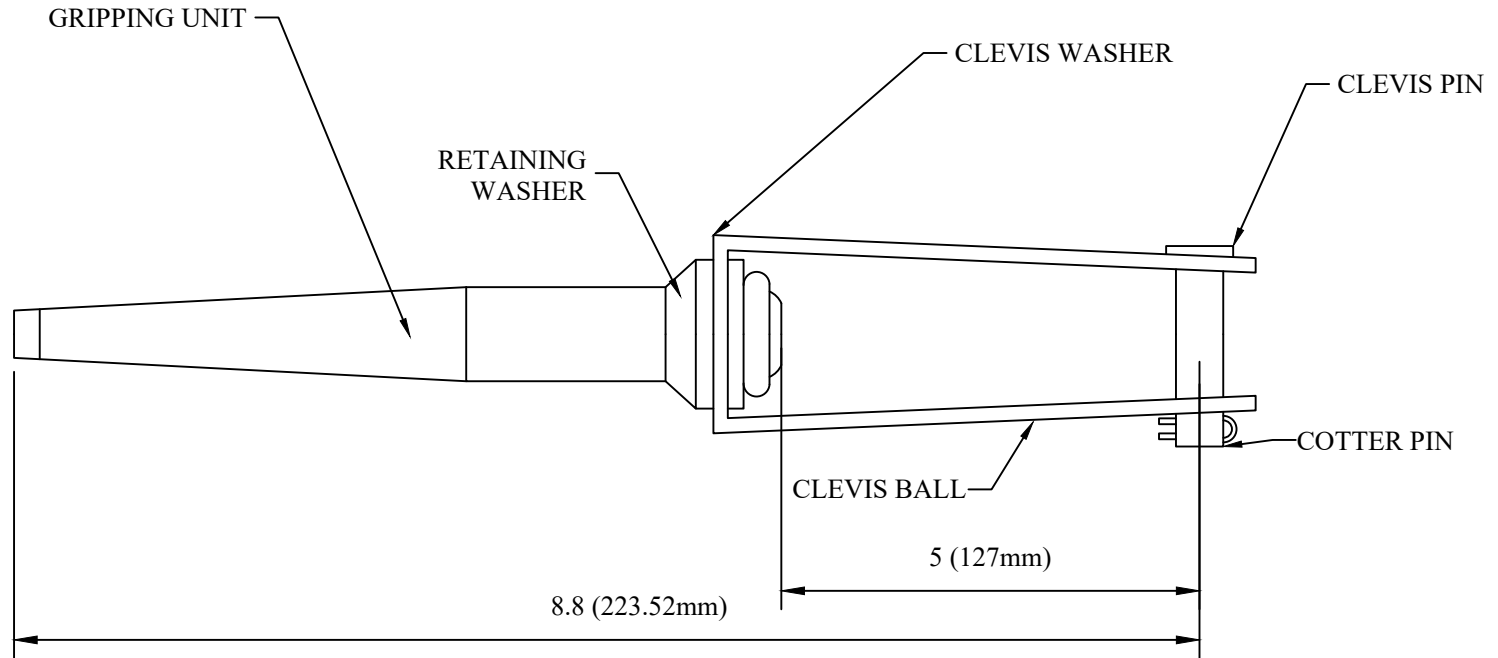


CATALOG NUMBER : 05B6F4C

CONDUCTOR RANGE			APPROXIMATE CONDUCTOR O. D. INCHES(MM)
COPPER		COPPERWELD	
SOLID	STRANDED	STRANDED	
1	2	4A	.28 - .29 (7.2 -7.4)



NOTES:

1.MATERIAL: ALUMINUM ALLOY OR GALVANIZED STEEL.

DRN BY:	DATA
Ella	07/09/16
<small>CONFIDENTIAL THIS DRAWING AND ITS CONTENTS PROPERTY OF TIANJIN TUOFA ELECTRIC POWER TECHNOLOGY CO.,LTD. NO PUBLICATION, DISTRIBUTION OR COPIES MAY BE MADE WITHOUT THE WRITTEN CONSENT OF TIANJIN TUOFA ELECTRIC POWER TECHNOLOGY CO.,LTD. TIANJIN TUOFA ELECTRIC POWER TECHNOLOGY CO.,LTD UNPUBLISHED ALL RIGHTS RESERVED UNDER THE COPYRIGHT LAWS.</small>	

**COPPER AUTOMATIC DEAD END,
0.28 IN - 0.29 IN CONDUCTOR DIA.RANGE**



TTF POWER TECHNOLOGY CO.