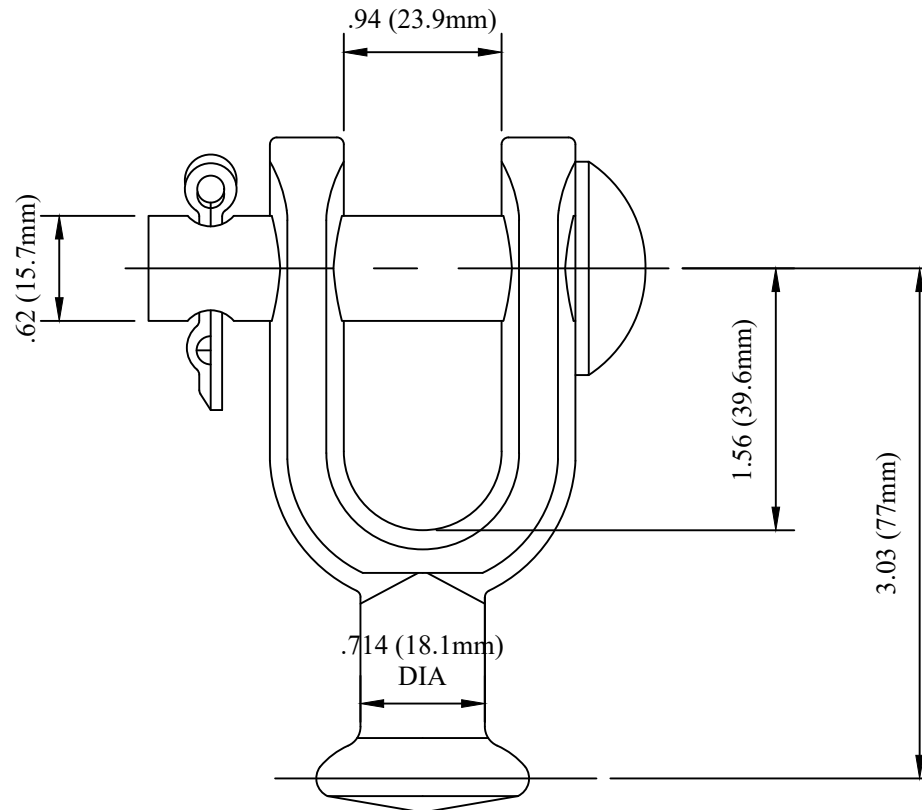


CATALOG NUMBER : 05A2S2X



NOTES:

1.MATERIAL:

BODY & CLEVIS PIN-GALV STEEL.

COTTER PIN - STAINLESS STEEL.

2.30,000LBS ULT STRENGTH.

3.FOR USE WITH INSULATORS CLASS 52-3/52-2 PER ANSI C29.2.

4.GALVANIZED PER ASTM A153.

DRN BY:	DATA
Ella	07/09/16

COPPER ALLOY BALL CLEVIS, 0.95 LB

CONFIDENTIAL THIS DRAWING AND ITS CONTENTS PROPERTY OF TIANJIN TUOFA ELECTRIC POWER TECHNOLOGY CO.,LTD. NO PUBLICATION, DISTRIBUTION OR COPIES MAY BE MADE WITHOUT THE WRITTEN CONSENT OF TIANJIN TUOFA ELECTRIC POWER TECHNOLOGY CO.,LTD. TIANJIN TUOFA ELECTRIC POWER TECHNOLOGY CO.,LTD UNPUBLISHED ALL RIGHTS RESERVED UNDER THE COPYRIGHT LAWS.



TTF POWER TECHNOLOGY CO.