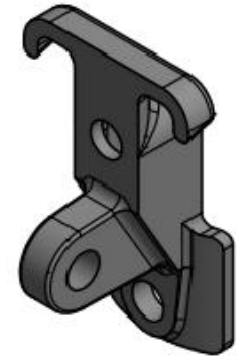
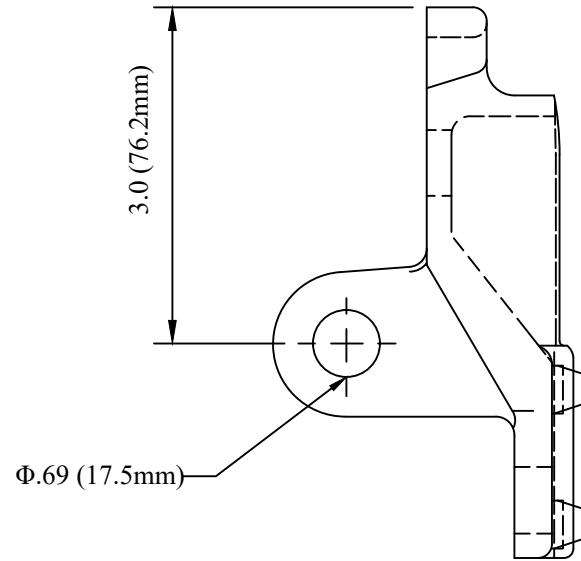
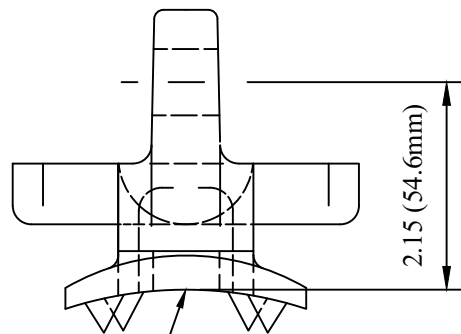
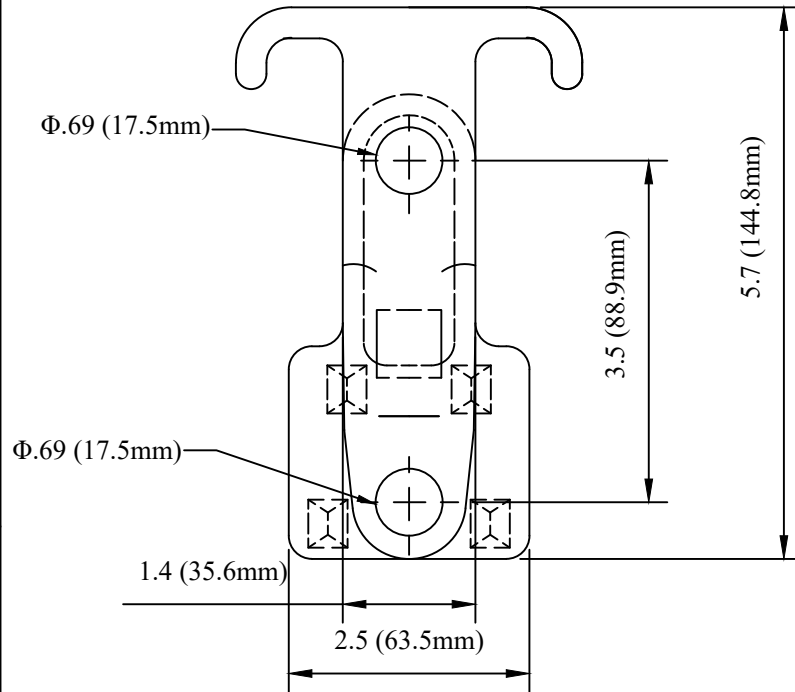


CATALOG NUMBER : 06D0M1M



NOTES:

1. DUCTILE IRON PER ASTM A-536, HOT DIP GALVANIZED PER ASTM A-153.

DRN BY:	DATA
Ella	07/09/16
<small>CONFIDENTIAL THIS DRAWING AND ITS CONTENTS PROPERTY OF TIANJIN TUOFA ELECTRIC POWER TECHNOLOGY CO.,LTD. NO PUBLICATION, DISTRIBUTION OR COPIES MAY BE MADE WITHOUT THE WRITTEN CONSENT OF TIANJIN TUOFA ELECTRIC POWER TECHNOLOGY CO.,LTD. TIANJIN TUOFA ELECTRIC POWER TECHNOLOGY CO.,LTD UNPUBLISHED ALL RIGHTS RESERVED UNDER THE COPYRIGHT LAWS.</small>	

CAST DUCTILE IRON COMBINATION
GUY- HOOK OR POLE-EYE ATTACHMENT



TTF POWER TECHNOLOGY CO.