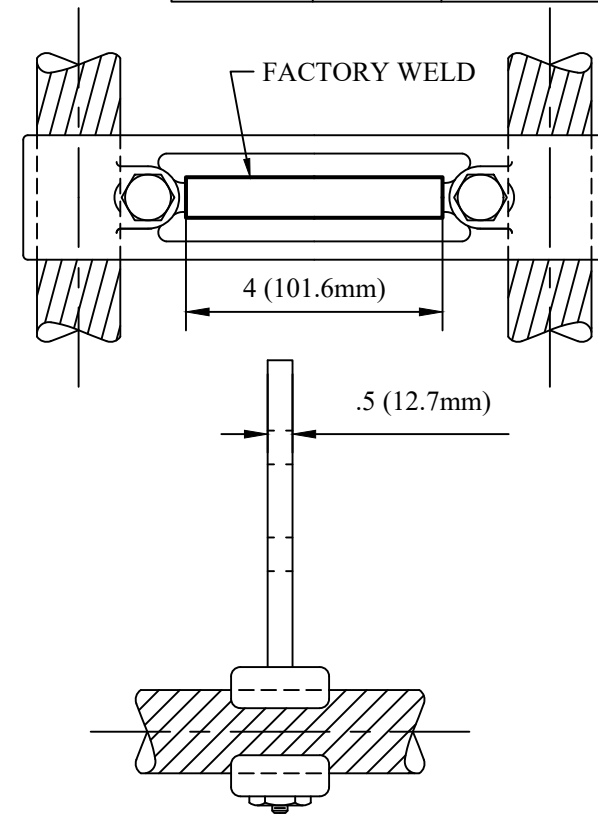
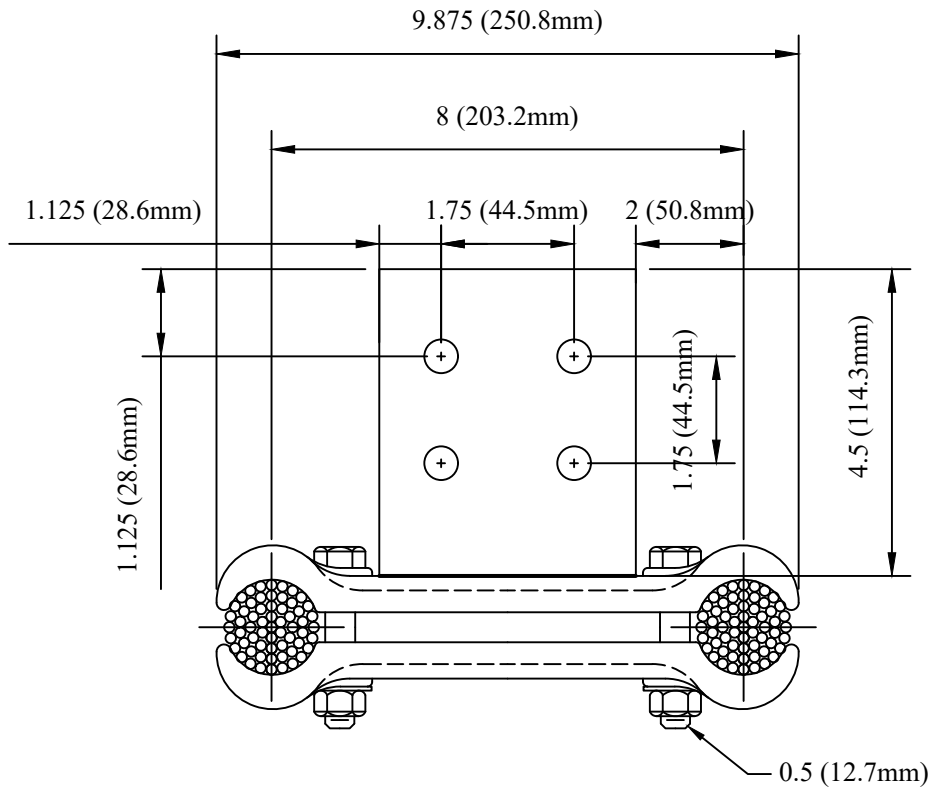


CATALOG NUMBER : 05F5U4H

CONDUCTOR RANGE(MCM)		DECIMAL RANGE
AAC	ACSR	
1250-1600	1113-1272	1.289-1.459



NOTES:

- 1.MATERIAL: CASTINGS - 356 - T6 ALUMINUM ALLOY
PAD - 6061 - T6 ALUMINUM ALLOY
HARDWARE - ALUMINUM ALLOY
- 2.DIMENSION IN INCHES
- 3.LIMITED CURRENT CARRYING CAPACITY.
FOR USE ON LIGHTNING ARRESTER EQUIPMENT.

DRN BY:	DATA
Ella	07/09/16
<small>CONFIDENTIAL THIS DRAWING AND ITS CONTENTS PROPERTY OF TIANJIN TUOFA ELECTRIC POWER TECHNOLOGY CO.,LTD. NO PUBLICATION, DISTRIBUTION OR COPIES MAY BE MADE WITHOUT THE WRITTEN CONSENT OF TIANJIN TUOFA ELECTRIC POWER TECHNOLOGY CO.,LTD. TIANJIN TUOFA ELECTRIC POWER TECHNOLOGY CO.,LTD UNPUBLISHED ALL RIGHTS RESERVED UNDER THE COPYRIGHT LAWS.</small>	

CABLE SPACER,
RANGE 1.289 IN - 1.459 IN



TTF POWER TECHNOLOGY CO.